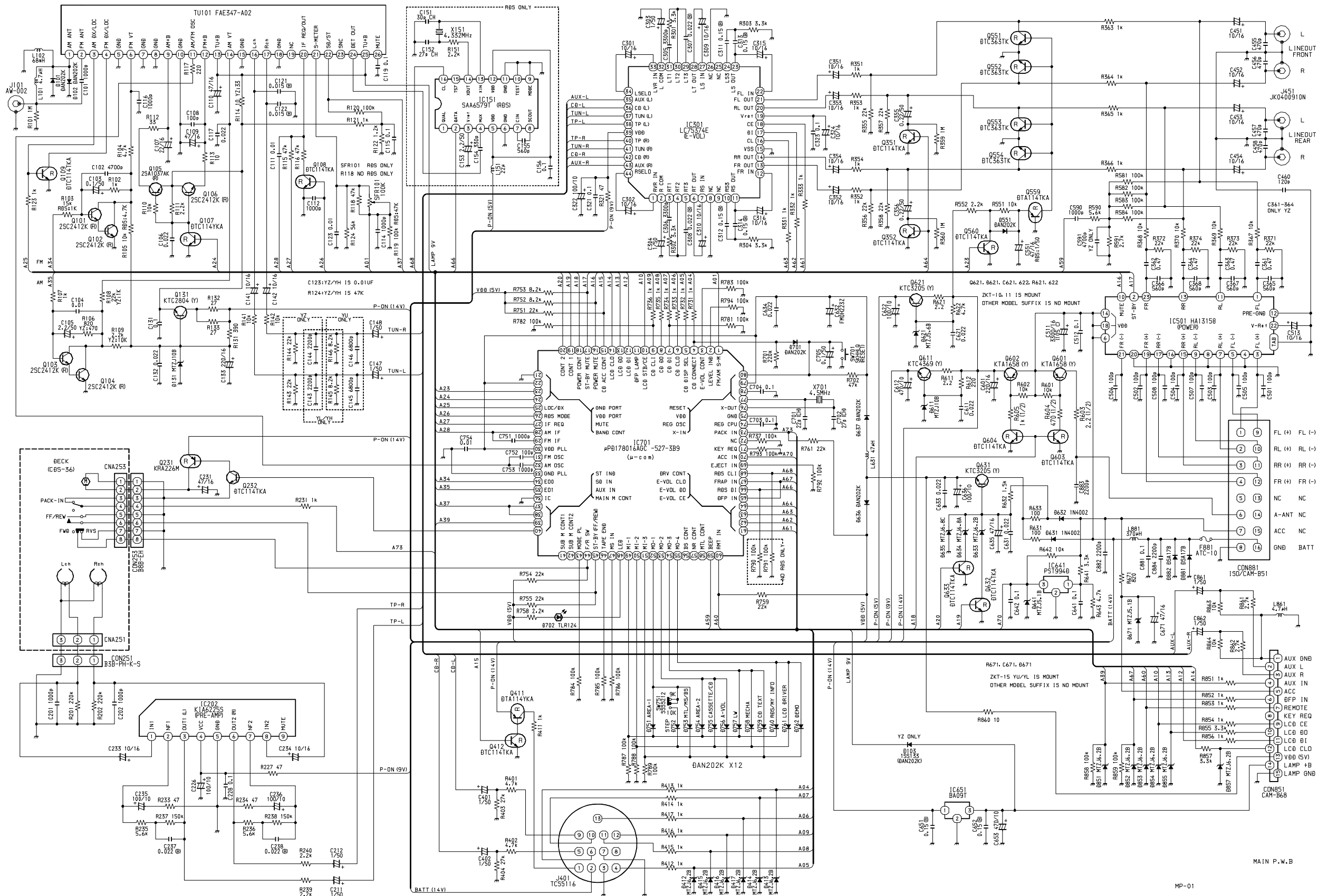


# AIWA CT-R 429M/R 409/R 419 SCHEMATIC DIAGRAM \_ 1



ZKT-10 (P1)

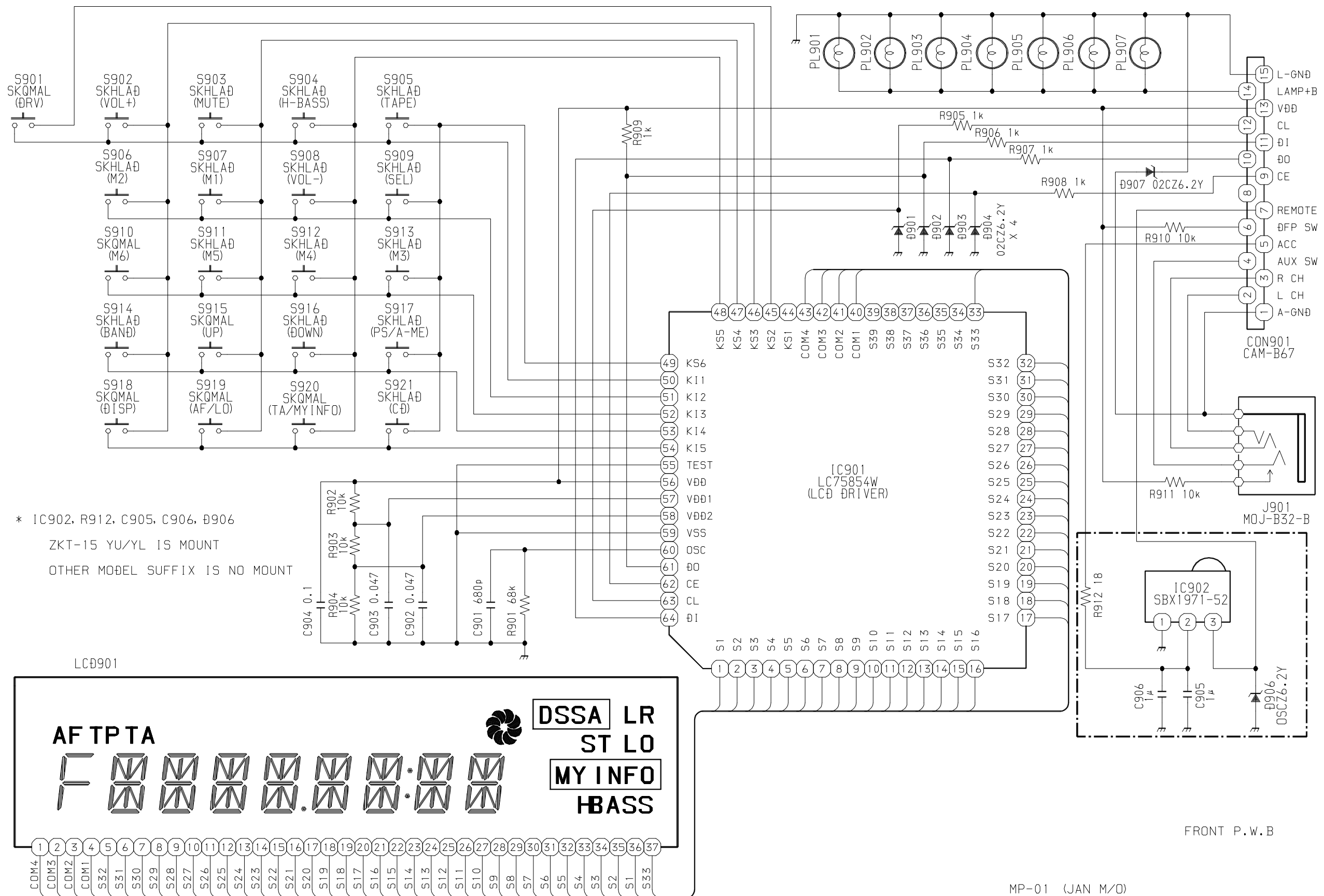
MP-01

ZKT-10/11/15

CT-X429M

02 MAR 1999

SCHEMATIC DIAGRAM - 2



\* IC902, R912, C905, C906, Ø906  
 ZKT-15 YU/YL IS MOUNT  
 OTHER MODEL SUFFIX IS NO MOUNT

B-ZKT-10 (P2)

MP-01 (JAN M/D)  
 ZKT-10/11/15

CT-X429M  
 28 JAN 1999