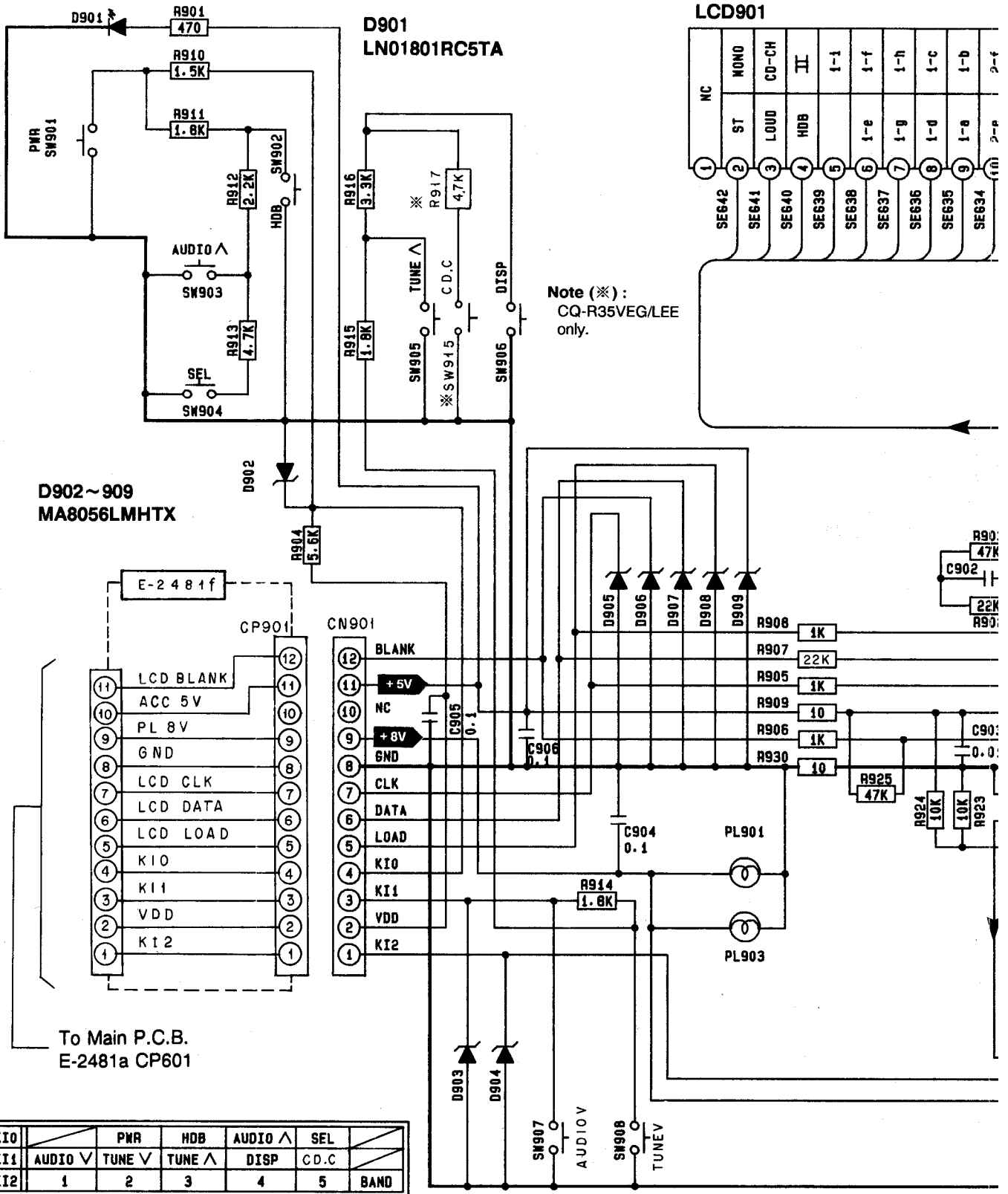
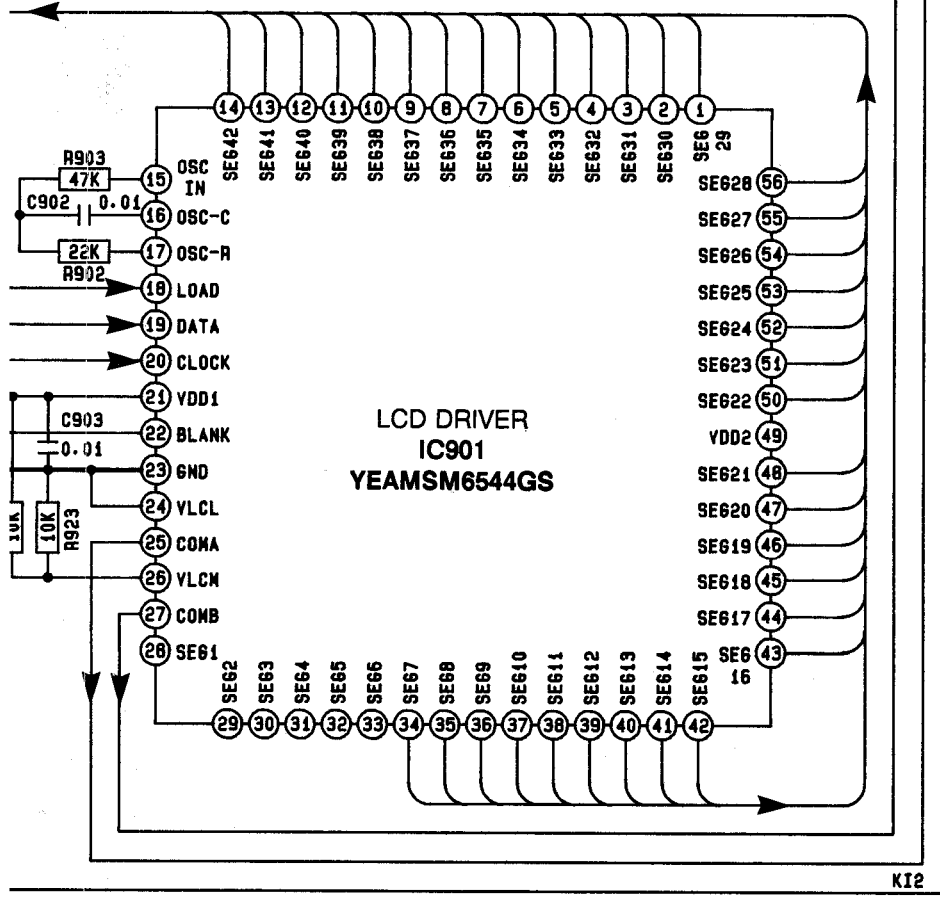
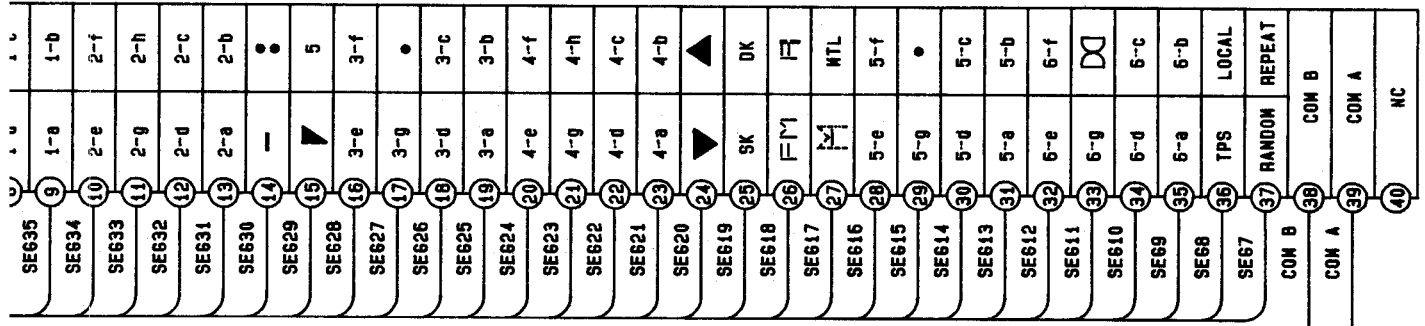


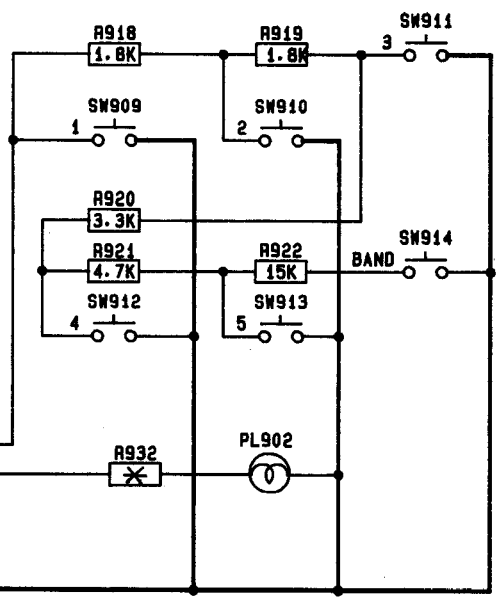
SCHEMATIC DIAGRAM / SCHALTBILT MODELS CQ-R30VEG/LEE/GLEE



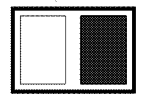
ILEE / CQ-R35VEG/LEE (DISPLAY BLOCK)



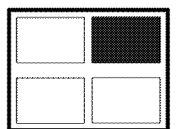
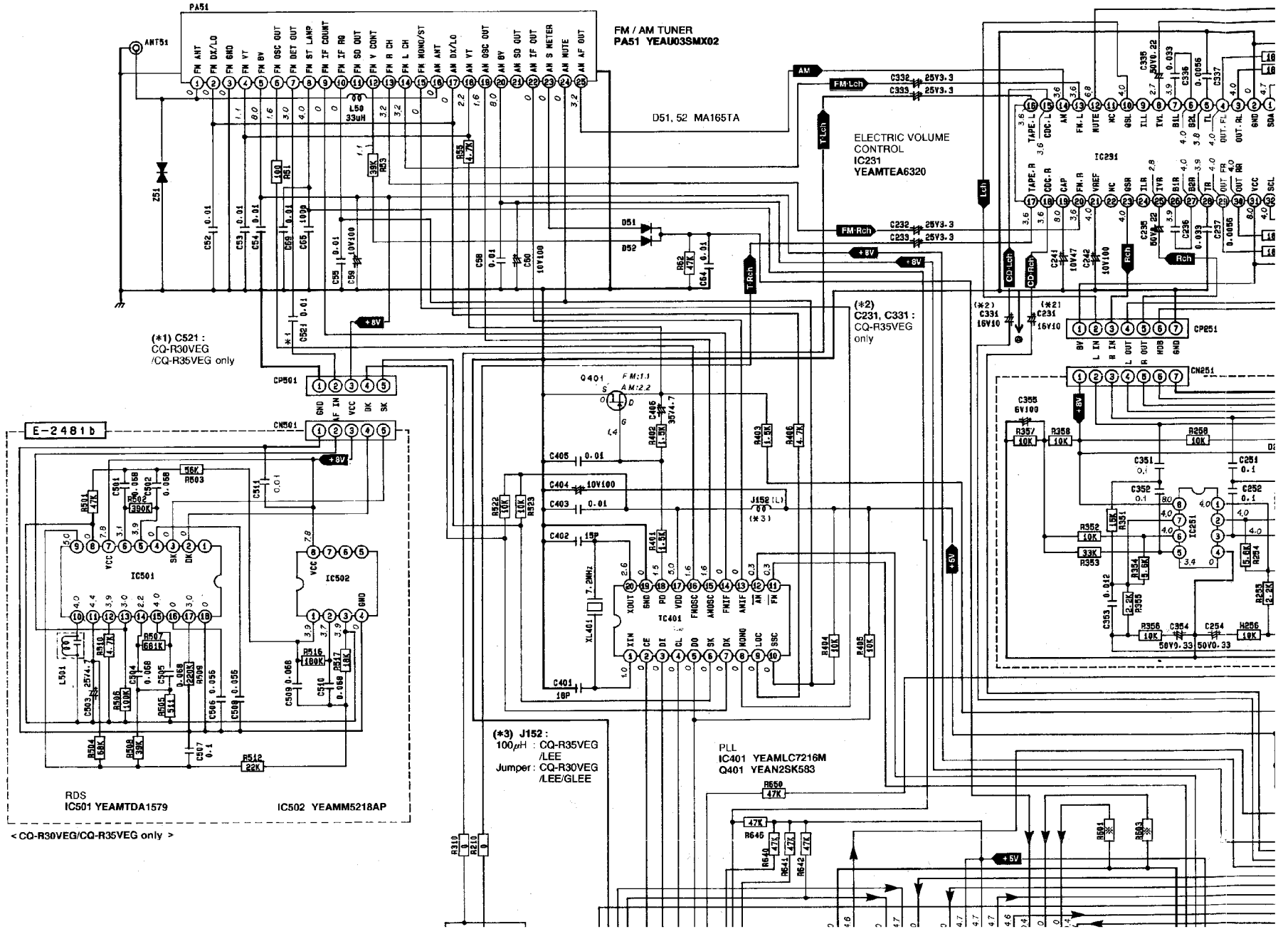
Note (*) R932 :
5.6 ohms : CQ-R3VEG/LEE
Jumper : CQ-R30GLEE / CQ-R35VEG/LEE

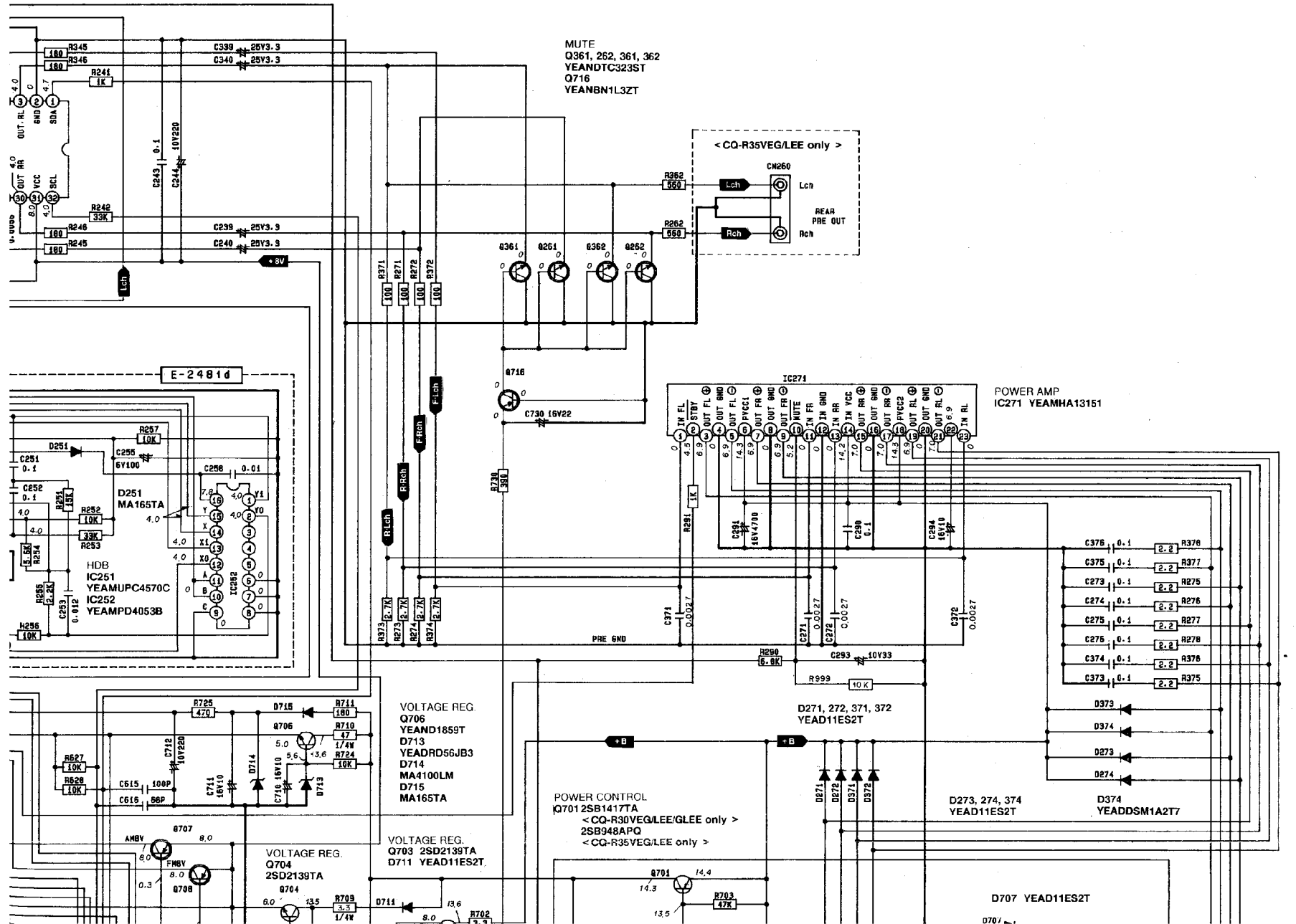


Removable Face High-Power / Cassette Receiver



SCHEMATIC DIAGRAM / SCHALTBILT MODELS CQ-R30VEG/LEE/GLEE / CQ-R35VEG/LEE (MAIN BLOCK) -





MUTE
 Q361, 252, 361, 362
 YEANDTC323ST
 Q716
 YEANBN1L3ZT

< CQ-R35VEG/LEE only >

POWER AMP
 IC271 YEAMHA13151

VOLTAGE REG.
 Q706 YEAND1859T
 D713 YEARDR56JB3
 D714 MA4100LM
 D715 MA165TA

VOLTAGE REG.
 Q703 2SD2139TA
 D711 YEAD11ES2T

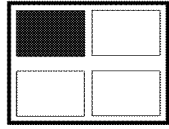
POWER CONTROL
 Q701 2SB1417TA
 < CQ-R30VEG/LEE/GLEE only >
 2SB948APQ
 < CQ-R35VEG/LEE only >

D271, 272, 371, 372
 YEAD11ES2T

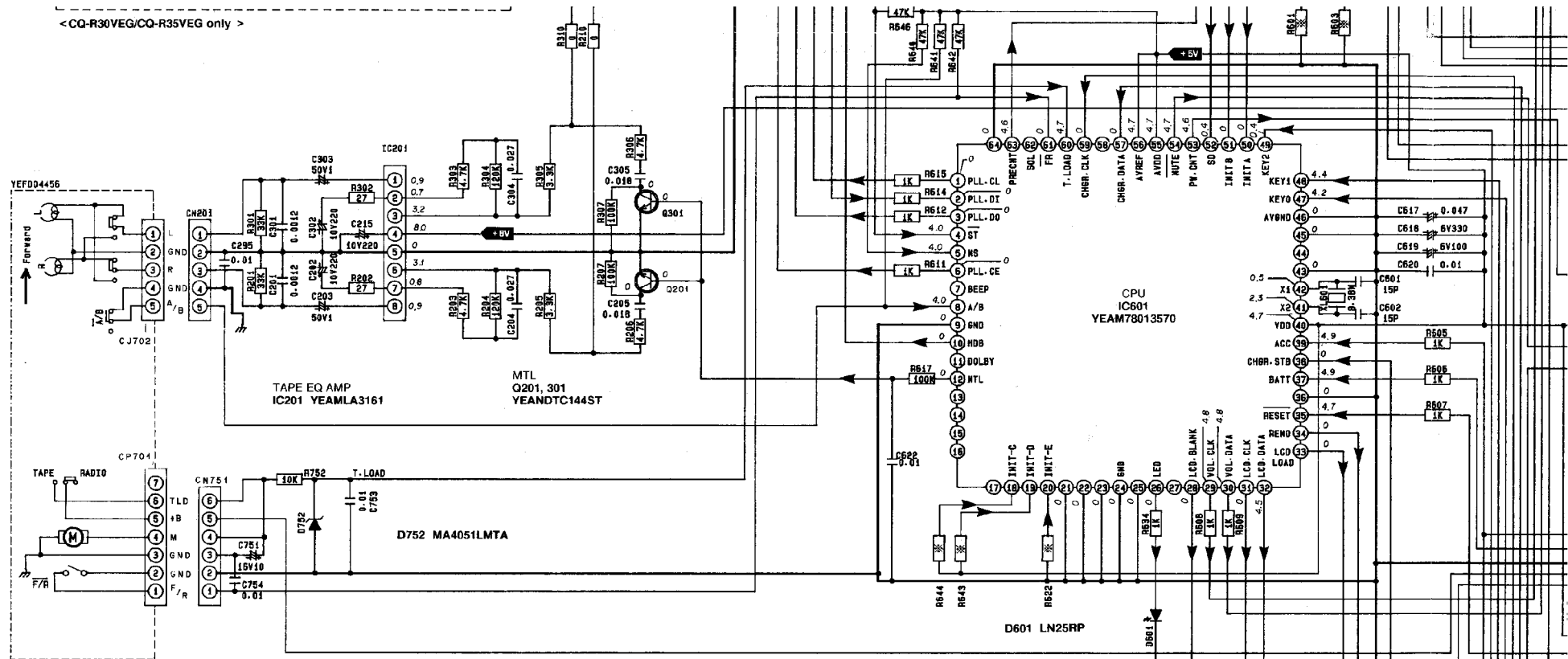
D273, 274, 374
 YEAD11ES2T

D707 YEAD11ES2T

E-2481d



< CQ-R30VEG/CQ-R35VEG only >



Notes1:

- Voltage measurements are with respect to ground, with a digital voltmeter, with controls set for normal operation, no signal applied, 13.2V DC power supply.

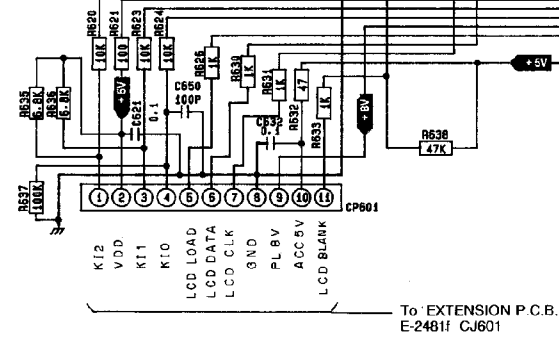
- Important safety notice: Components identified by Δ mark have special characteristics important for safety. When replacing any of these components, use only manufacturer's specified parts.

- Exact value determined by production process. This schematic diagram is the latest at the time of printing and subject to change without notice. Replace same value as original parts.

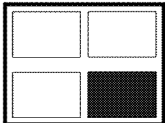
Note 2:

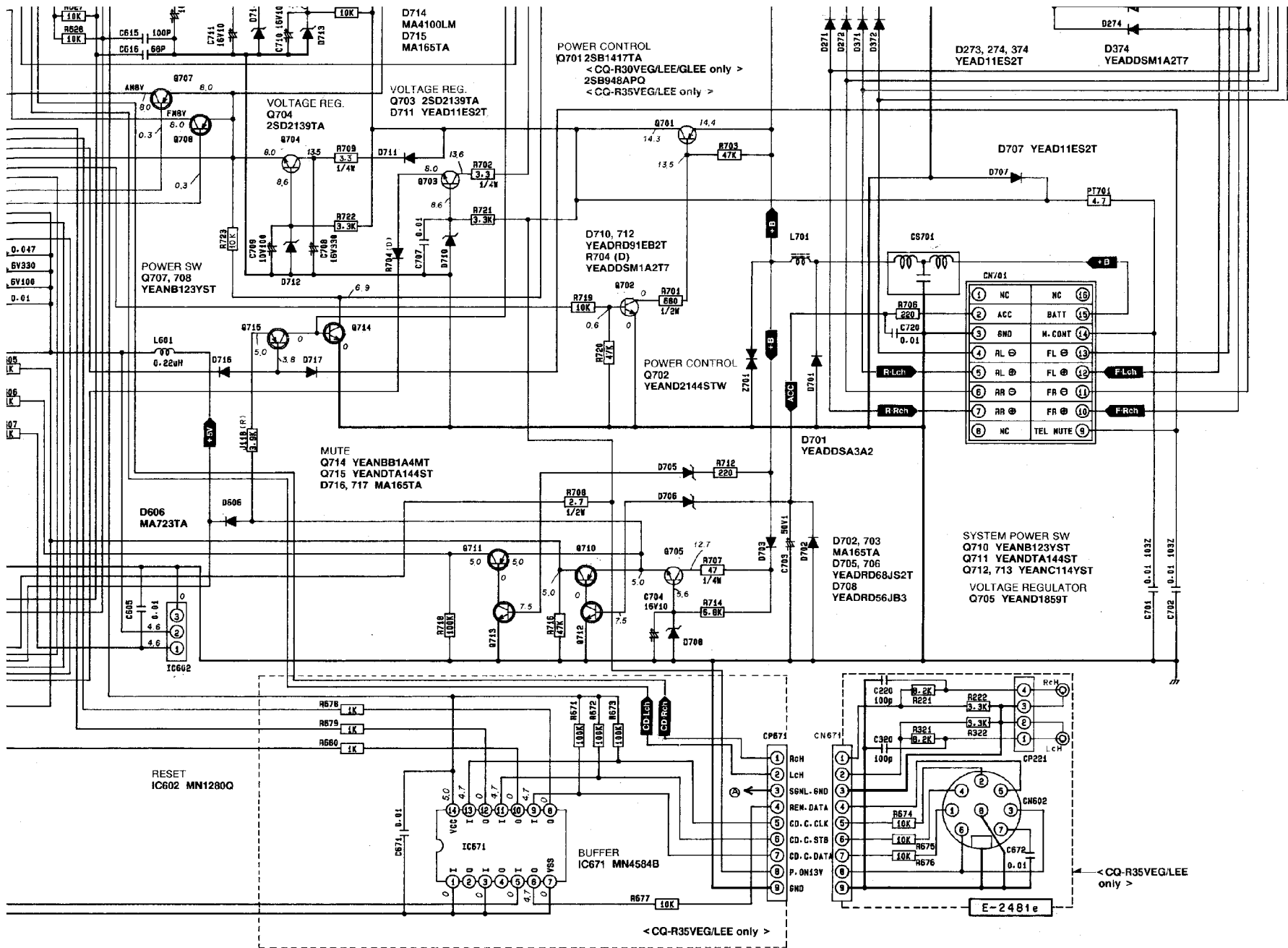
Please refer to the table below for marked (*) parts value.

Ref. No.	CQ-R35 VEG	CQ-R35 LFE	CQ-R30 VEG	CQ-R30 LEE/GLEE
R601	—	22K	—	22K
R602	—	47K	—	47K
R603	—	—	—	—
R622	—	—	—	—
R643	47K	47K	47K	47K
R644	47K	47K	—	—



To EXTENSION P.C.B.
E-2481F CJ601





Removable Face High-Power / Cassette Receiver

