

4. SCHEMATIC CIRCUIT DIAGRAM

MAIN UNIT

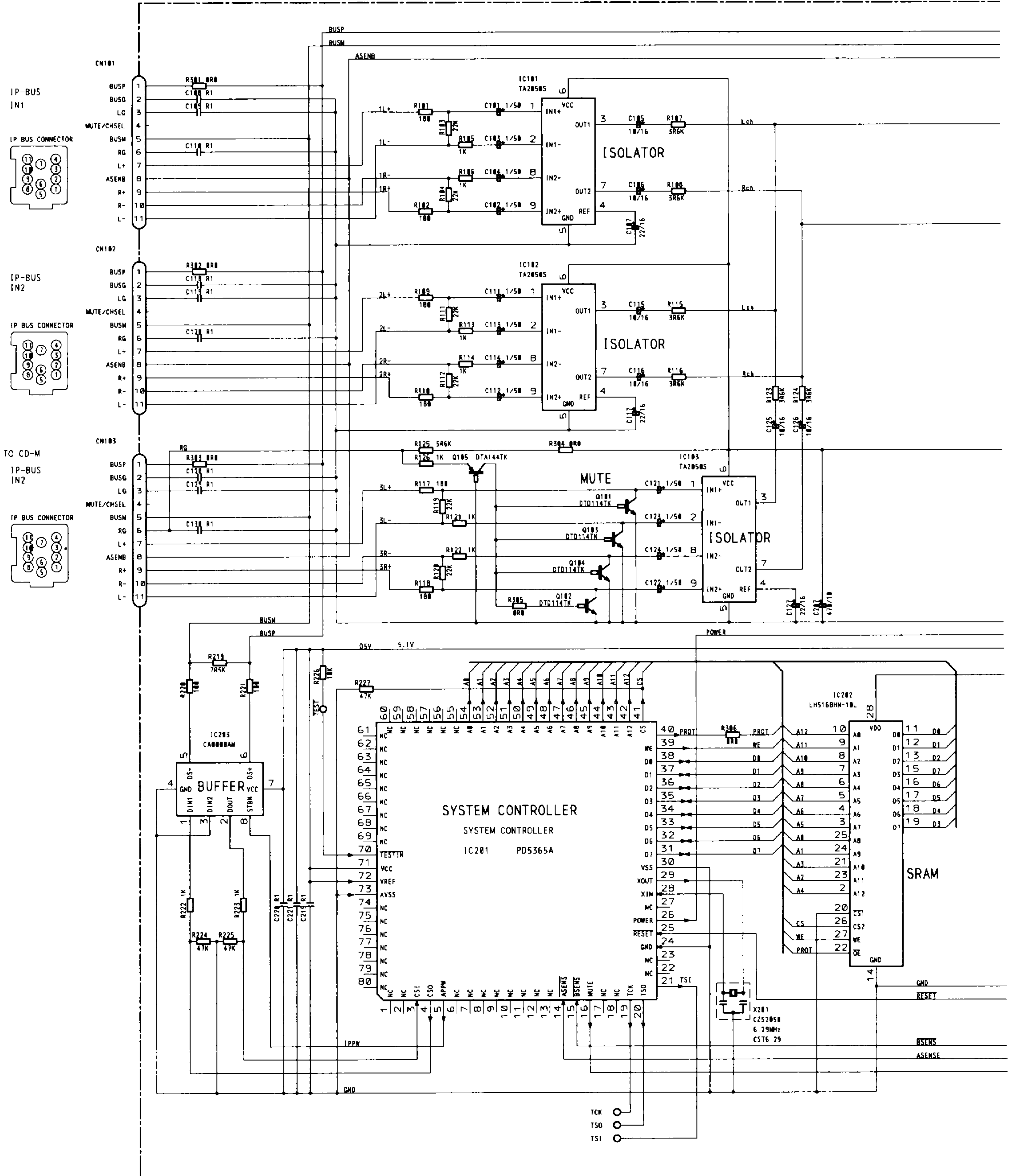
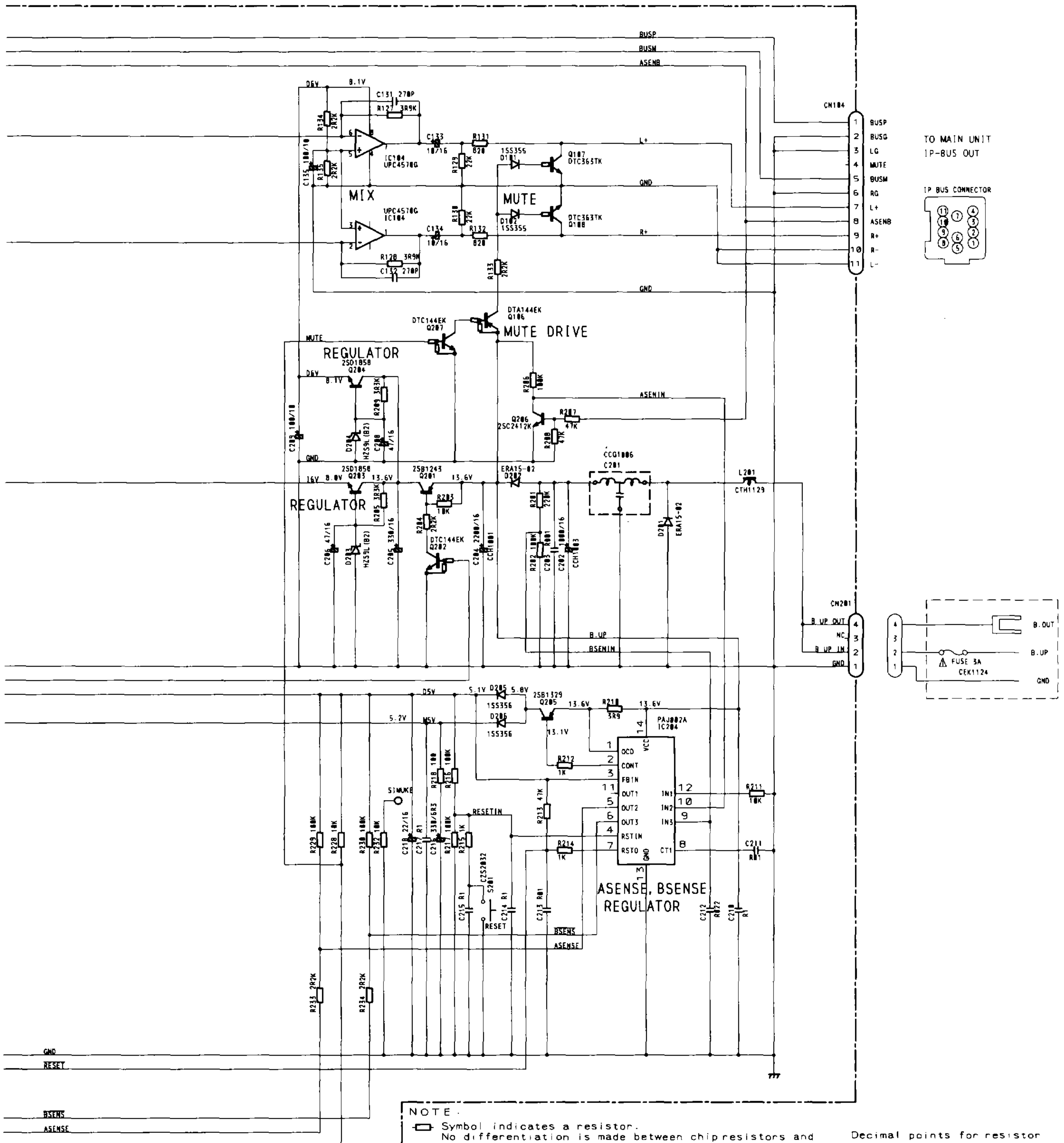


Fig.2



NOTE:

- Symbol indicates a resistor. No differentiation is made between chip resistors and discrete resistors.
- ⊥ Symbol indicates a capacitor. No differentiation is made between chip capacitors and discrete capacitors.

The Δ mark found on some component parts indicates the importance of the safety factor of the part. Therefore, when replacing, be sure to use parts of identical designation.

Decimal points for resistor and capacitor fixed values are expressed as:
 2.2→2R2
 0.022→R022

Fig.3