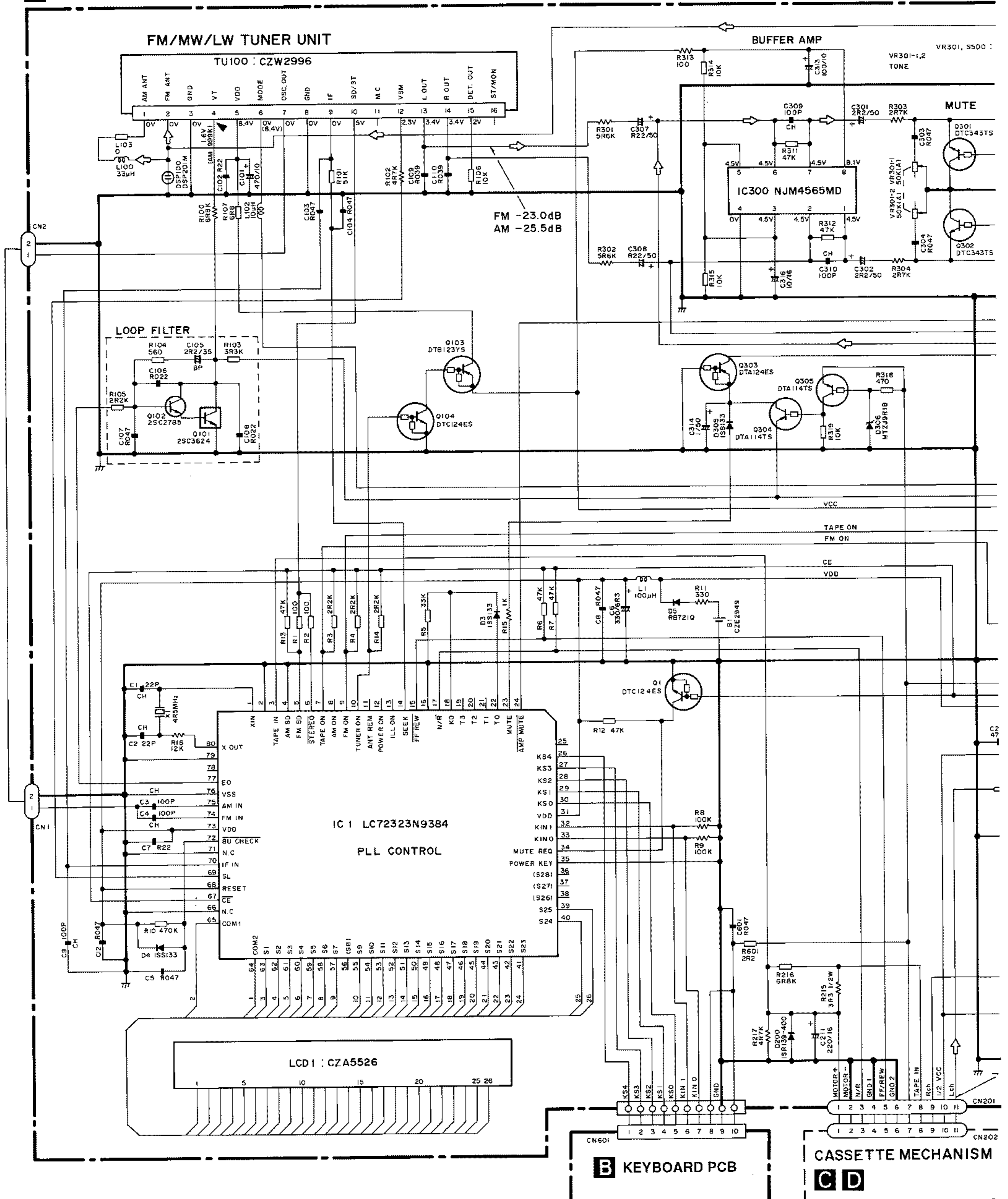


3. SCHEMATIC DIAGRAM

3.1 OVERALL CONNECTION DIAGRAM

● KEH-1010QR/X1M/EE

A TUNER AMP UNIT



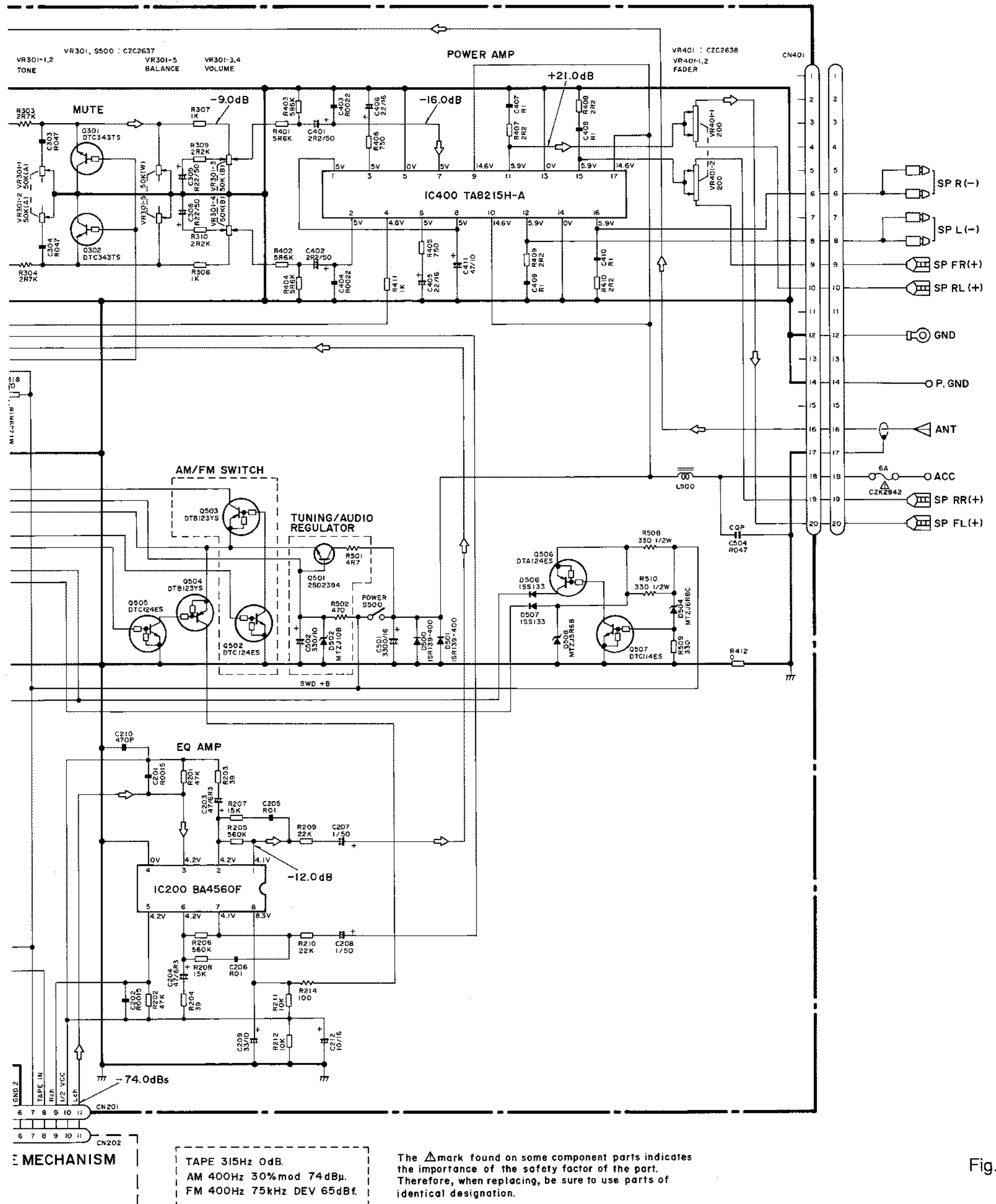
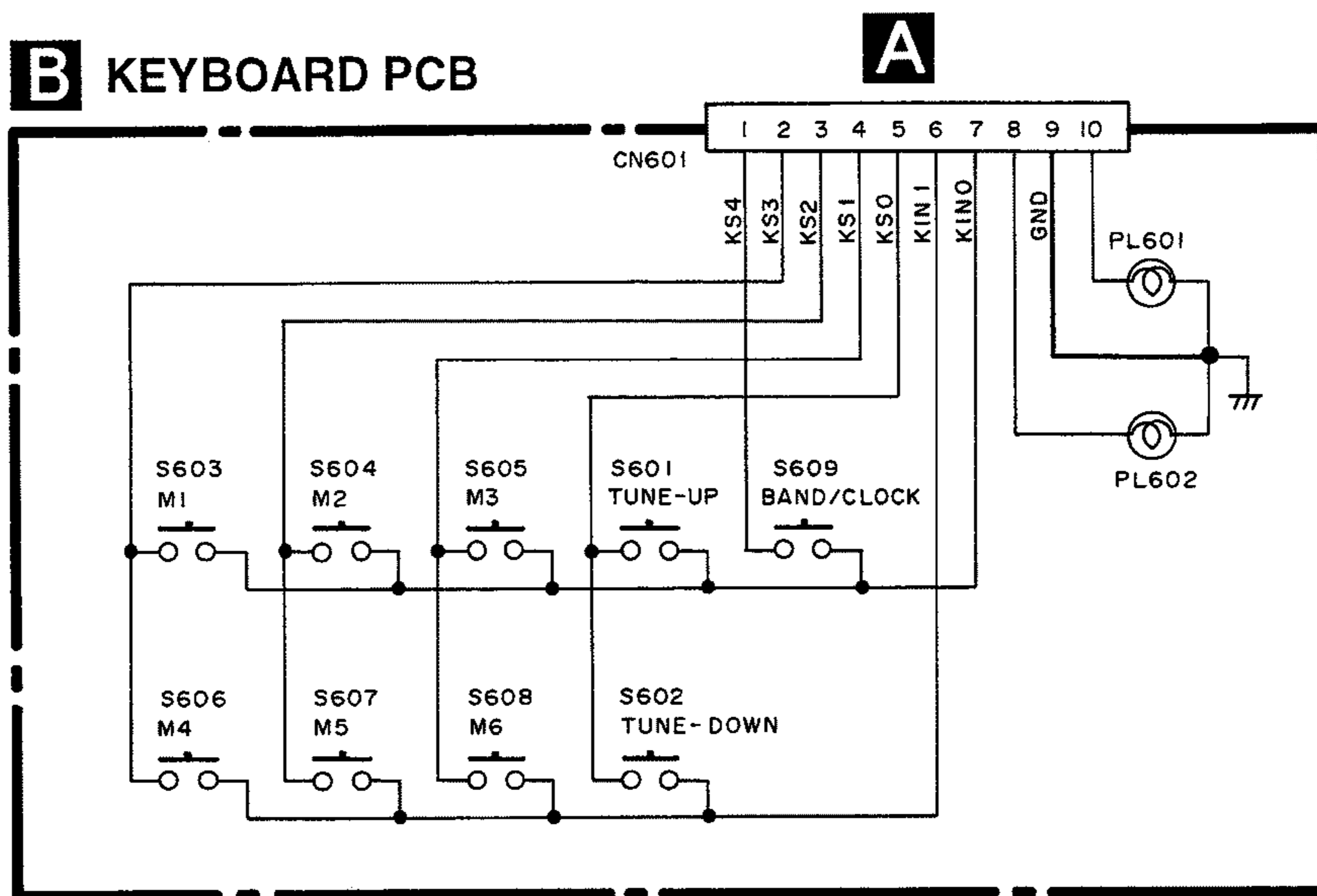


Fig.4

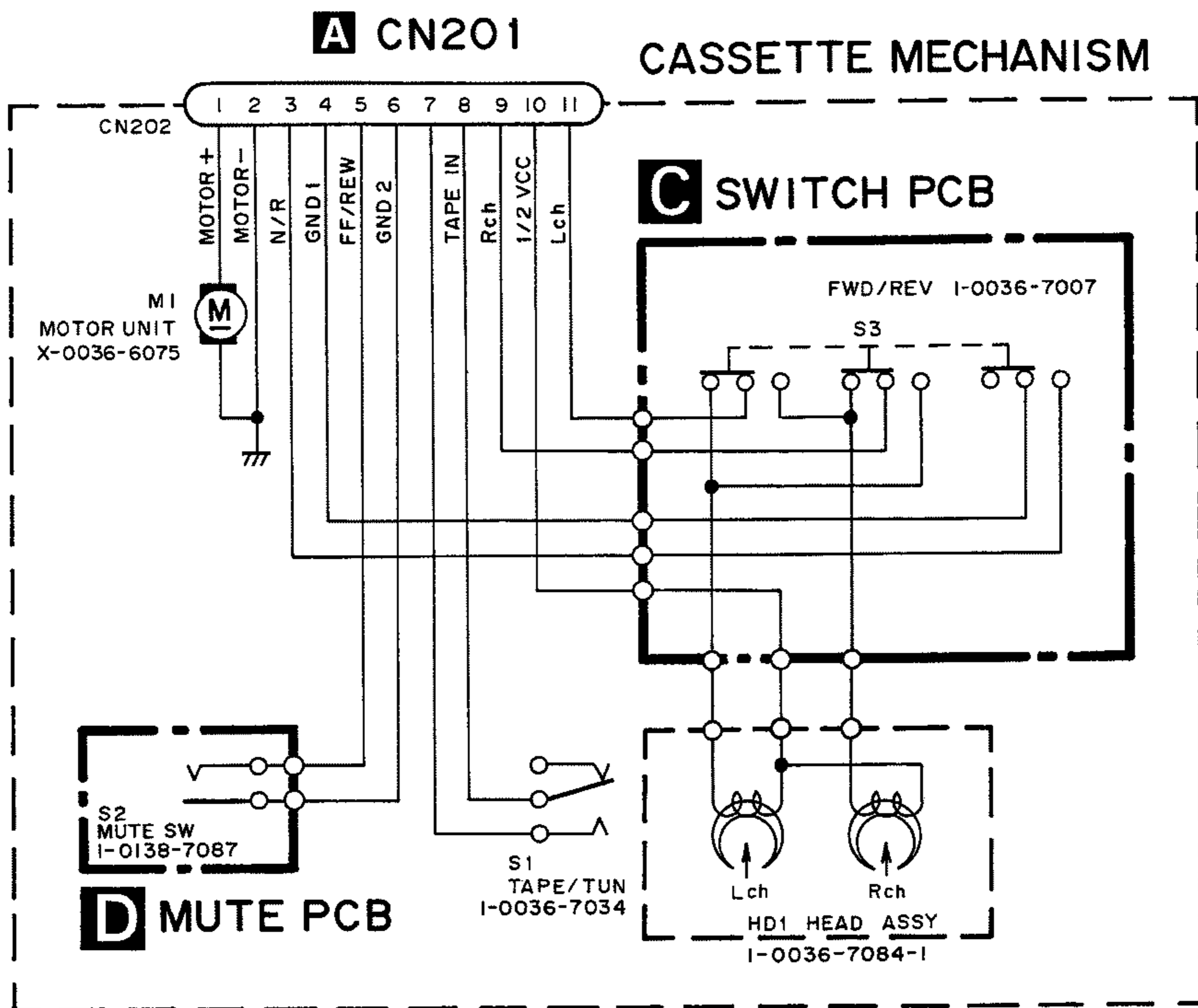
3.2 KEYBOARD PCB



	PL601,602
KEH-1010QR	CZE2948
KEH-1050QR	CZE2947
KEH-1050QRS	CZE2947

Fig.7

3.3 CASSETTE MECHANISM MODULE



- SWITCHES:
- S1 : TAPE/TUN SWITCH.....TAPE/TUN
 - S2 : MUTE SWITCHON-OFF
 - S3 : FWD/REV SWITCH.....FWD-REV

The underlined indicates the switch position.

Fig.8