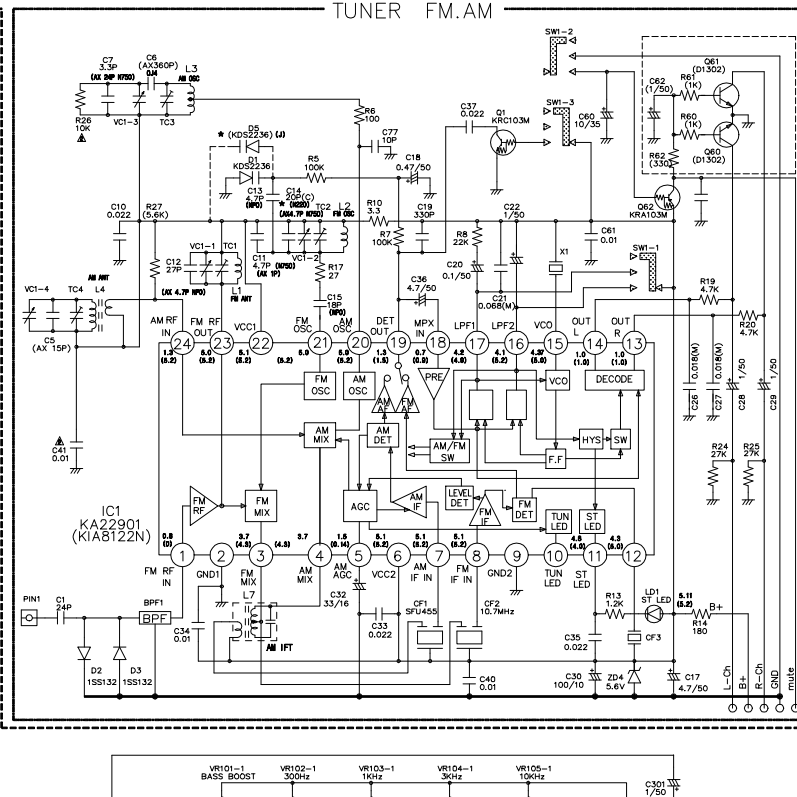
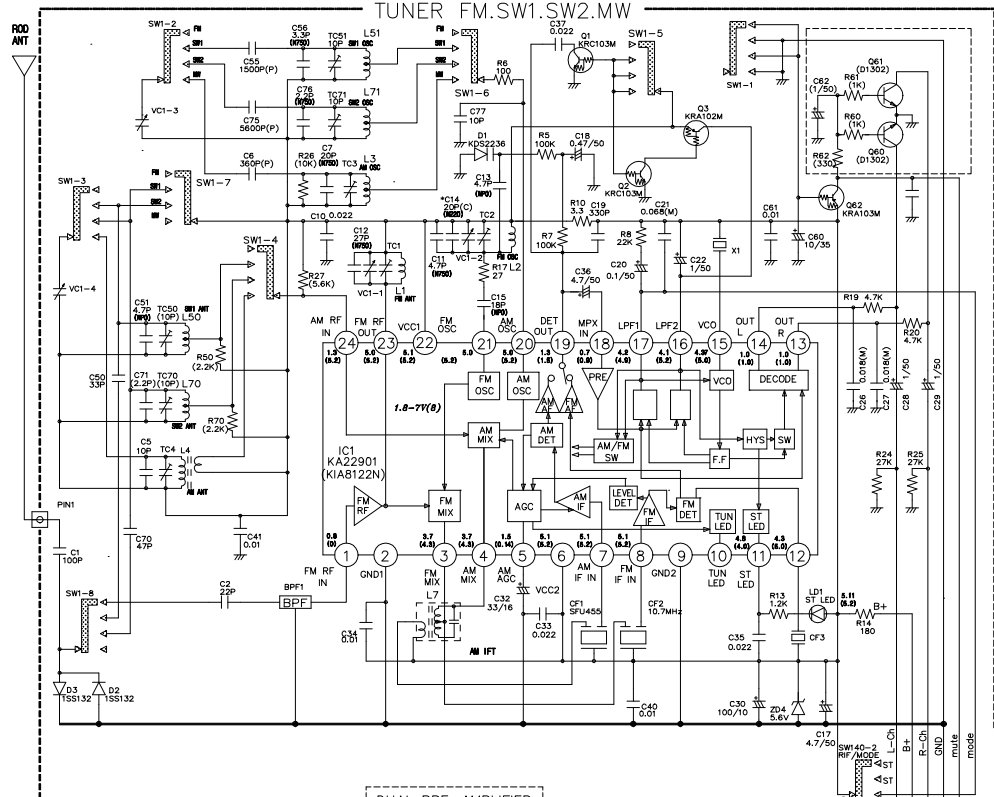


TUNER FM.SW1.SW2.MW

TUNER FM.AM



***OPTION LIST**

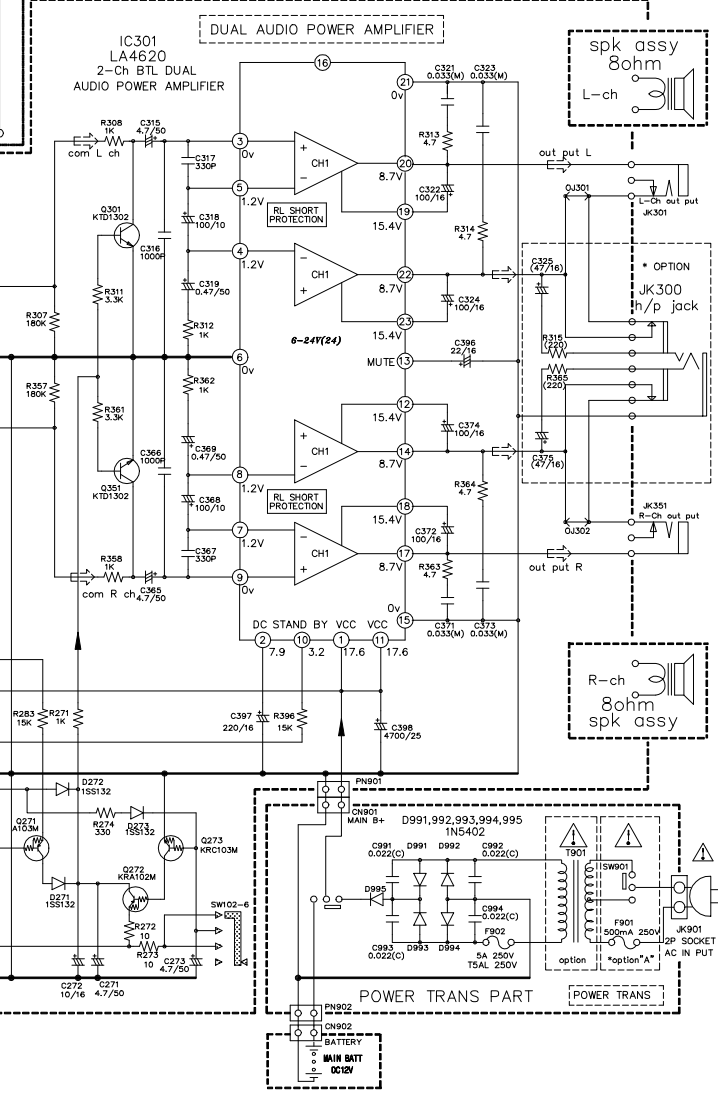
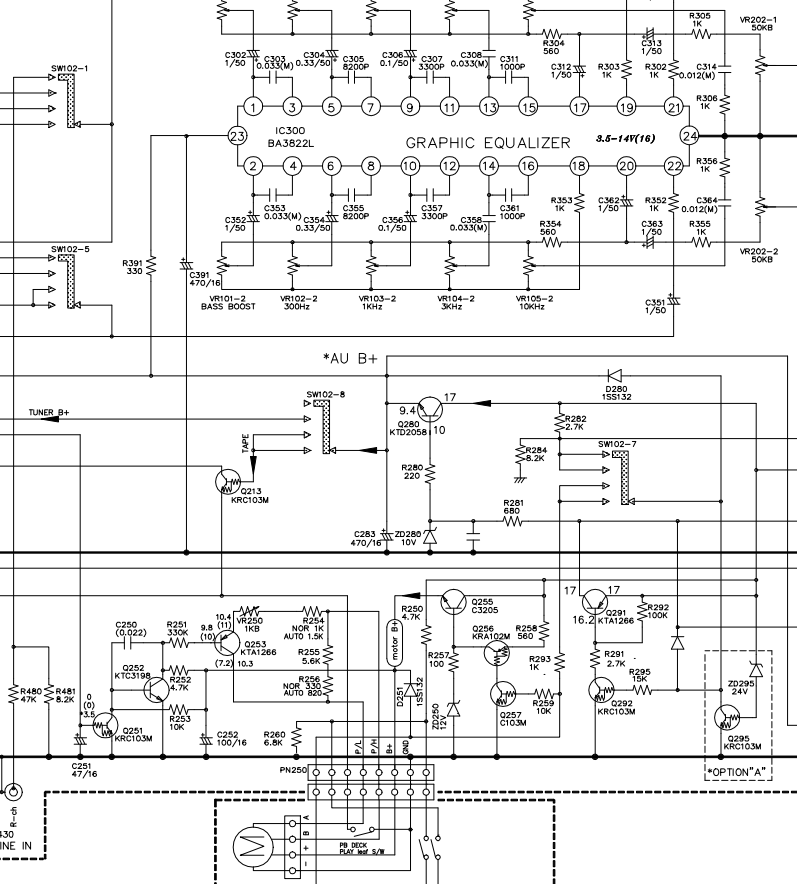
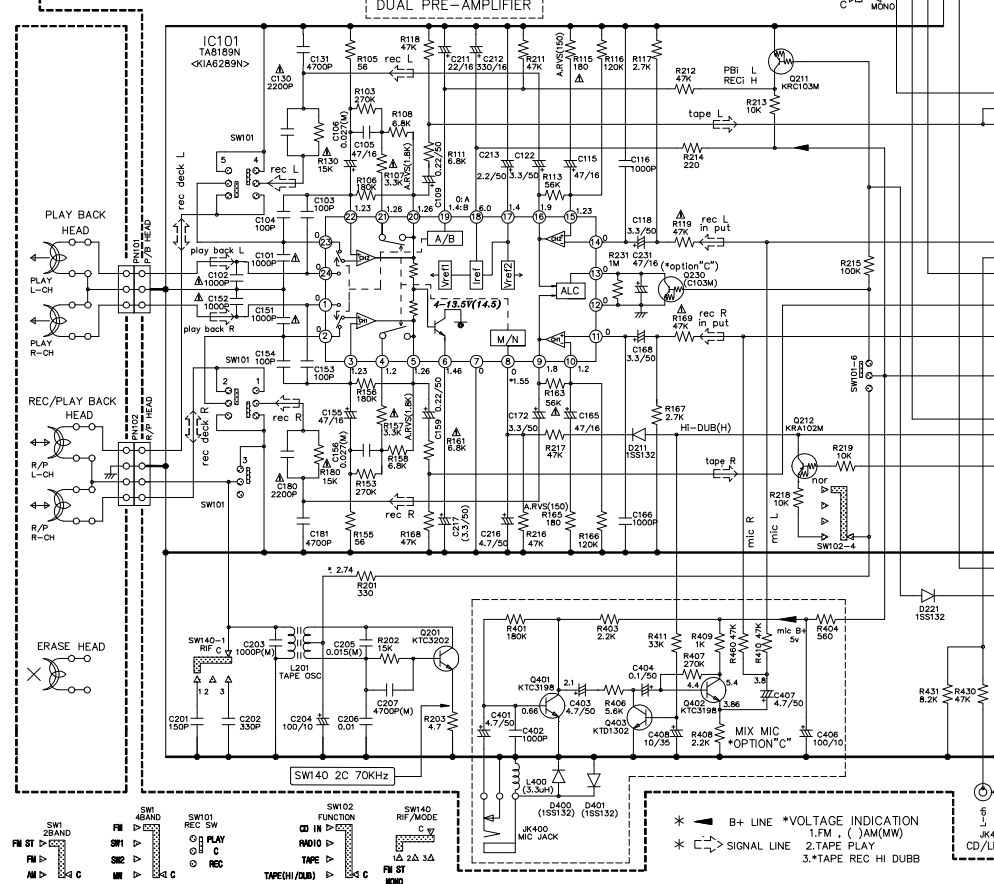
NO	SYMBOL	TW-862T	TW-862A	TW-862AX	TW-862T	NOTE
1	VC1	61305-0001H	61305-0001H	61305-0001J	61305-0001H	VARIATION
2	BPF1	62005-C801B	62005-C801B	62005-C801C	62005-C801B	BPF
3	SW1	556-822F	556-822D	556-822D	556-822F	BAND SW
4	TC51/71	109/70P	X / X	X / X	109/70P	4 BAND
5	L4	632N21X	632N31U	632N21X	632N21X	AM/MW ANT COIL
6	L3	634N04B	634N04X	634N04B	634N04B	AM/MW OSC
7	L2	635N03B	635N03B	635N03A	635N03B	FM OSC COIL
8	L1	635N09H	635N09H	635N09G	635N09H	FM ANT COIL
9	L50	61405C005A	X	X	61405C005A	SW ANT COIL
10	L51	61405C002A	X	X	61405C002A	SW OSC COIL
11	L70	61405C005B	X	X	61405C005B	SW ANT COIL
12	L71	61405C002B	X	X	61405C002B	SW OSC COIL
13	R254	1K	1K	1K	1.5K	DECK SPEED
14	R256	330	330	330	820	HI DUBB SPEED
15	R26	X	10K	X	X	
16	C6	300P(P)	X	X (0.01MPP)	300P(P)	SW PADDING
17	C5	1500P(P)	X	X	1500P(P)	SW PADDING
18	C75	5600P(P)	X	X	5600P(P)	SW2 PADDING
19	C1	100P	24P	24P	100P	
20	C2	22P	J/W	J/W	22P	
21	C14	20P(C)	20P(C)	4.7P(N750)	20P(C)	N220
22	C11	3.7P	4.7P	1P	4.7P	N750
23	C12	27P	27P	4.7P(NP0)	27P	N750
24	C7	20P	3.3P	24P	20P	N750
25	C5	10P	X	15P	10P	
26	C56	3.3P	X	X	3.3P	N750
27	C51	4.7P	X	X	4.7P	NP0
28	C50	3.3P	X	X	3.3P	
29	C70	47P	X	X	47P	
30	C2	C103M	X	X	C103M	4 BAND
31	C3	A102M	X	X	A102M	4 BAND
32	Q295	C103M	X	X	C103M	DOUBLE VTC
33	ZD295	24V	X	X	24V	DOUBLE VTC
34	OUT-20	X	O	X	O	2BAND/IN WIRE
35	Q21-40	X	O	X	O	4BAND/IN WIRE
36	Q27	O	X	O	O	4BAND/IN WIRE
37						
38						

***TR OLD NEW NO LIST**

OLD NO	NEW NO	R1	R2
KRC1203	KRC103M	22K	22K
KRC1210	KRC110M	4.7K	-
KRC111M	KRC110M	10K	-
KRC102M	KRC102M	10K	10K
KRA2202	KRA102M	10K	10K
KRA2203	KRA103M	22K	22K
KRA2204	KRA104M	47K	47K

***POLARITY OLD NO NEW NO**

OLD NO	NEW NO
KTA1015	KTA1266
KTC1815	KTC3198
KTC1959	KTC3202
KTC732TMBL	KTC3198TMBL
KT834	KT8988
KTC2236A	KTC3205
KTD2058	KTD2012
KTA966A	KTA1273



FUNCTION
 SW1 2 BAND
 SW2 4 BAND
 SW101 REC SW
 SW102 SW
 SW103 PLAY
 SW104 C
 SW105 C
 SW106 REC
 SW107 TAPE/RECALL
 SW108 SW
 SW109 SW
 SW110 SW

OPTION A
 * B+ LINE * VOLTAGE INDICATION
 1.F.M. (JAM/MW)
 2.TAPE PLAY
 3.TAPE REC HI DUBB

POWER TRANS PART
 MAIN BATT
 BATTERY
 DC12V