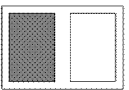
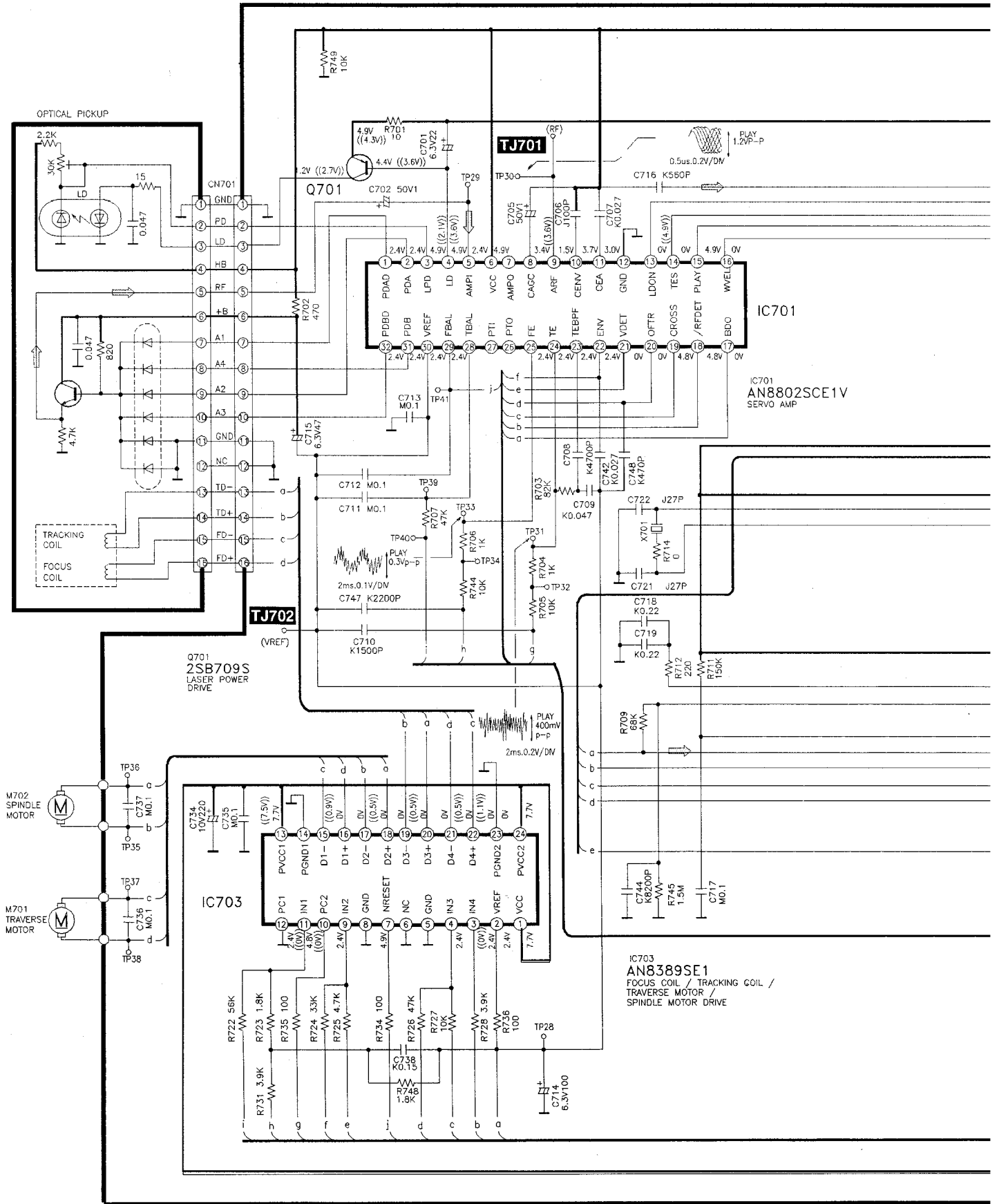


Schematic Diagram

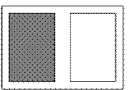
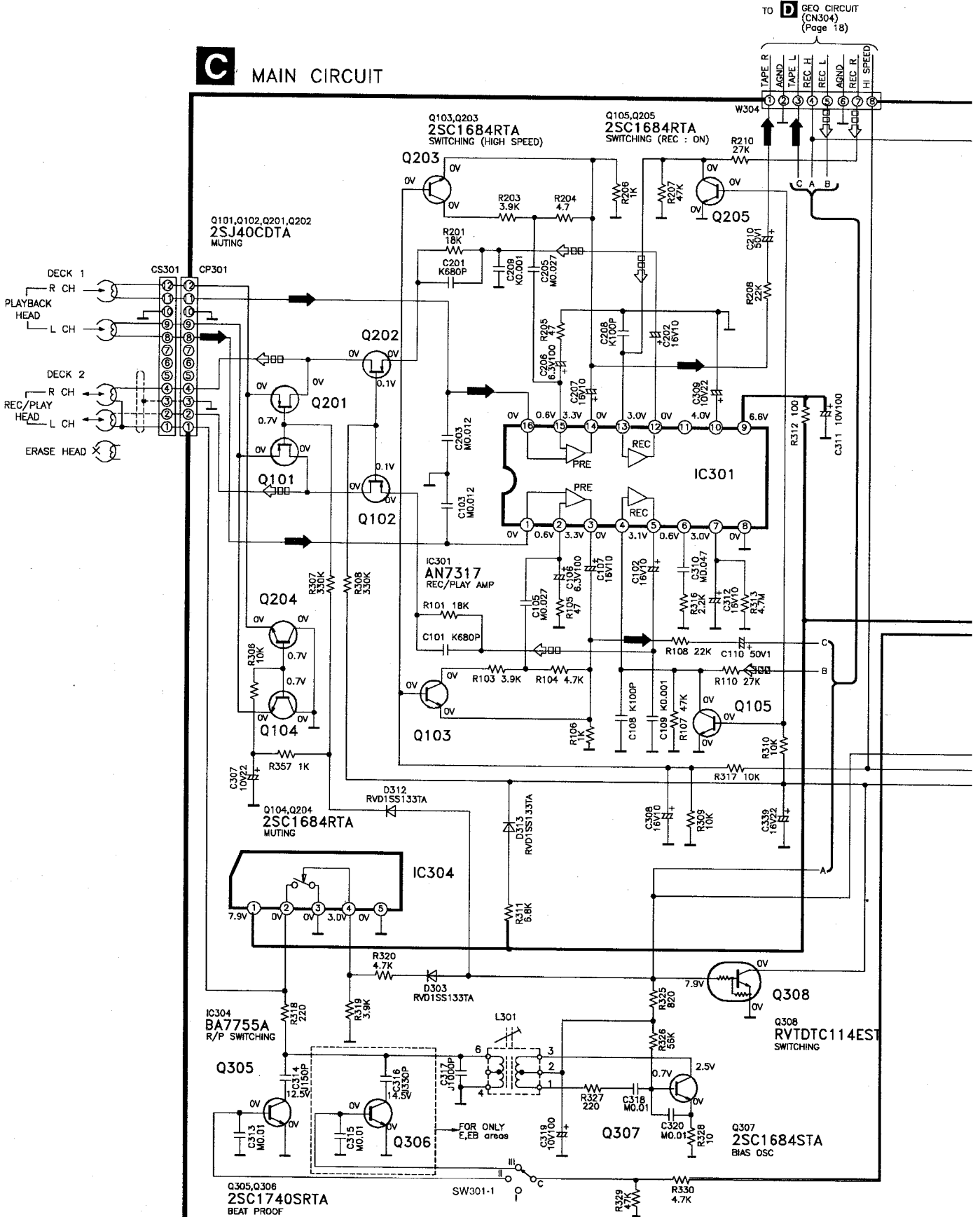
A SERVO CIRCUIT

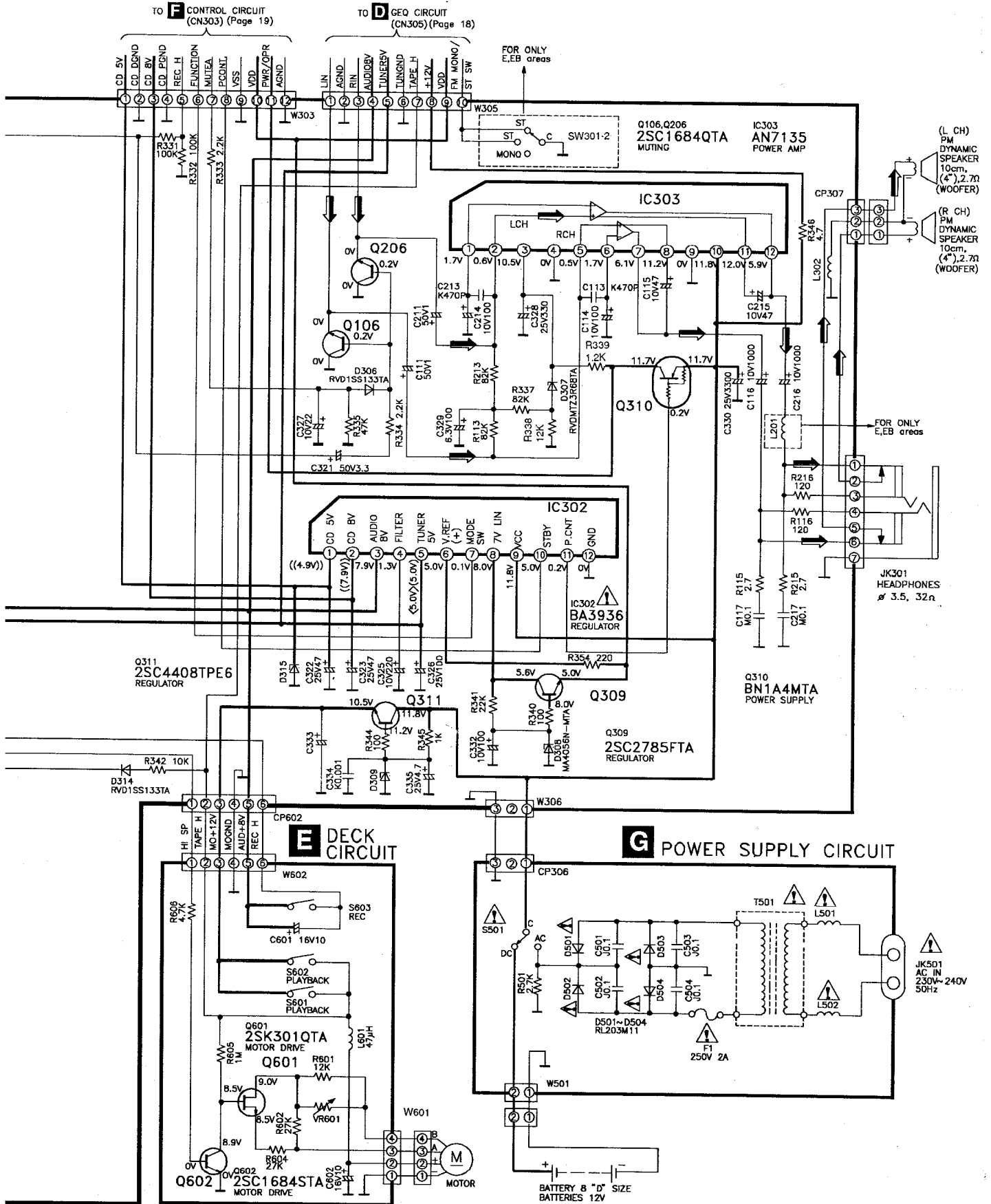


Schematic Diagram

C MAIN CIRCUIT

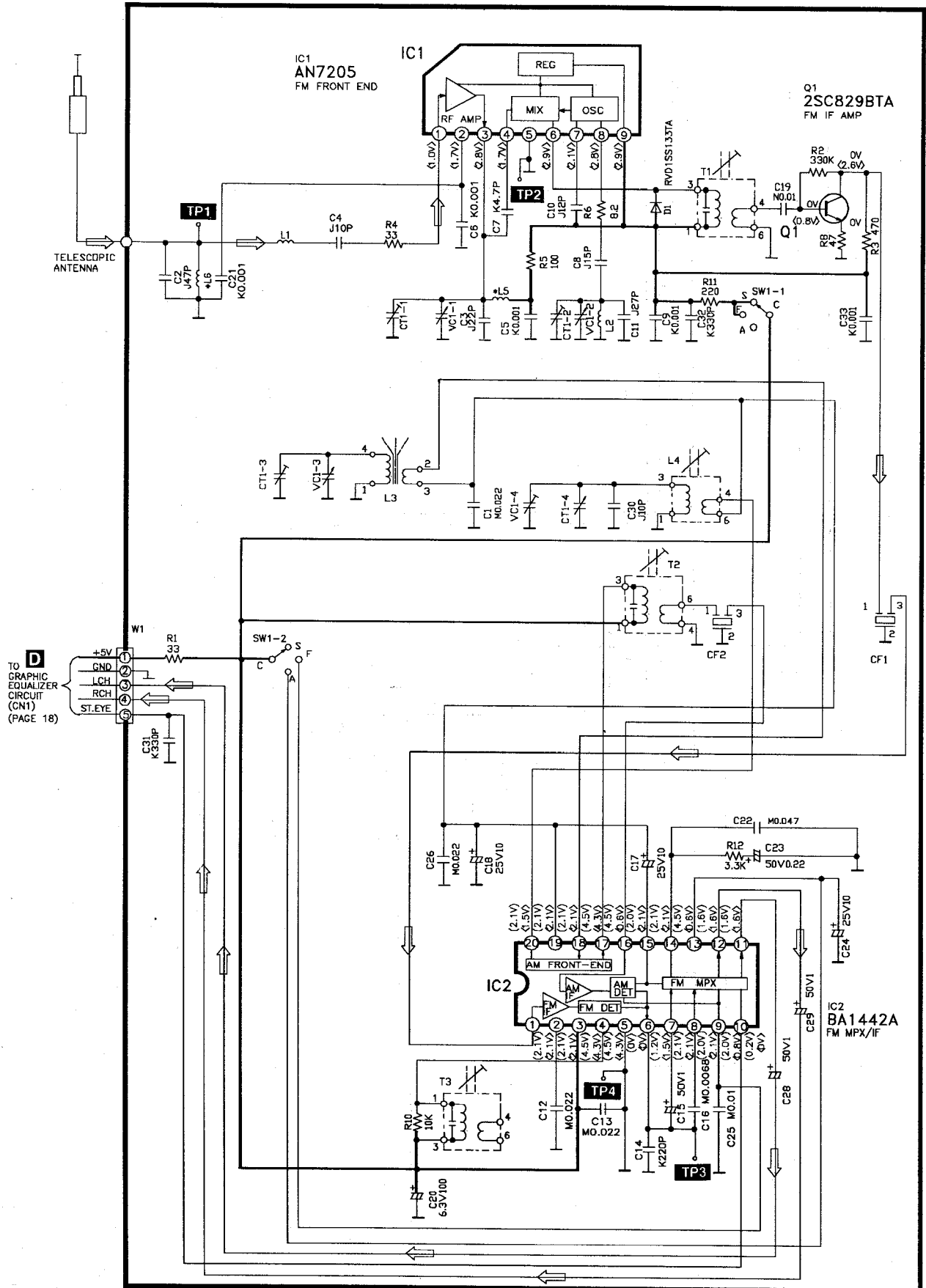
TO **D** GEO CIRCUIT
(CN304)
(Page 18)



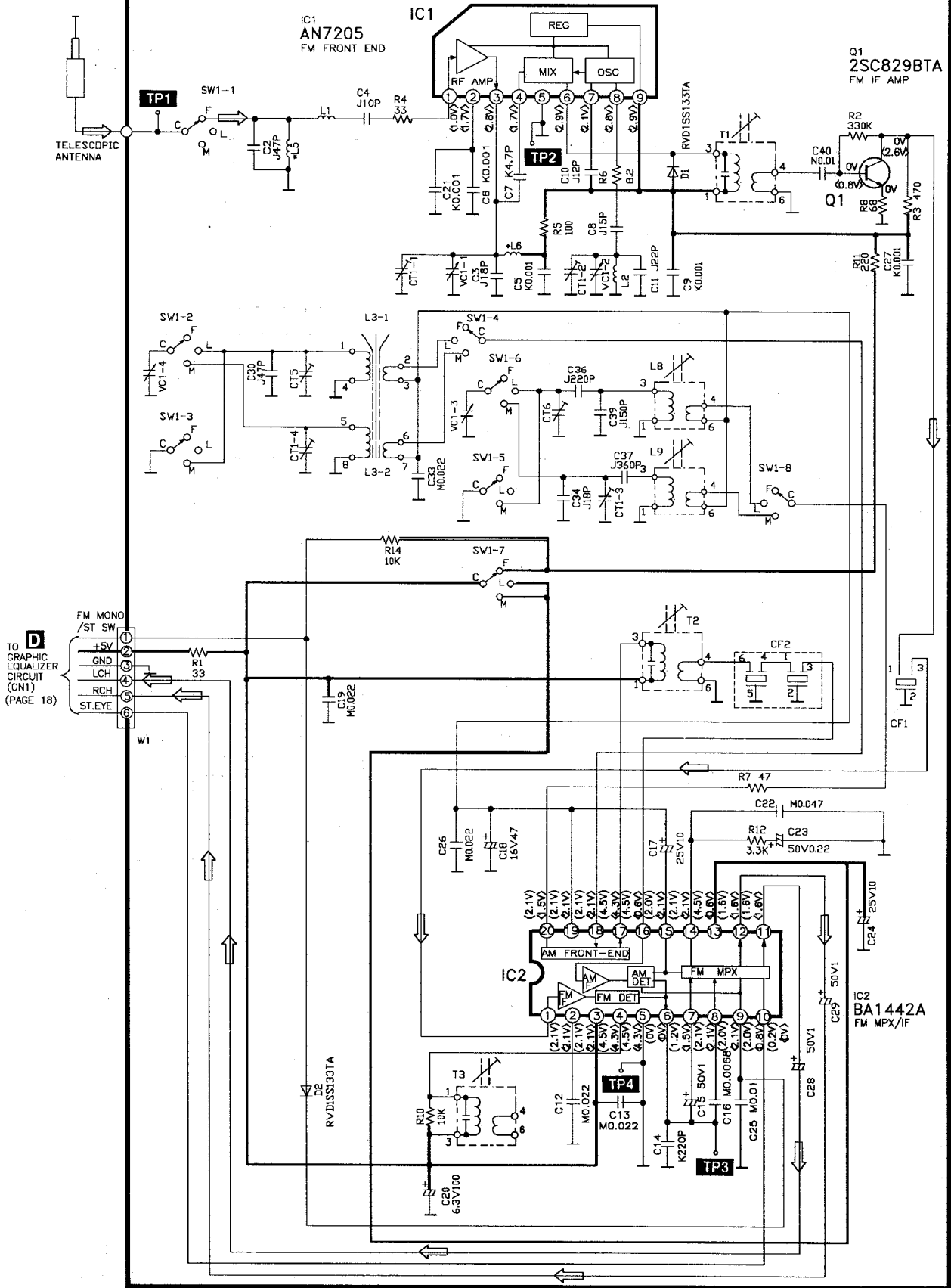


Schematic Diagram

B TUNER CIRCUIT FOR EG area

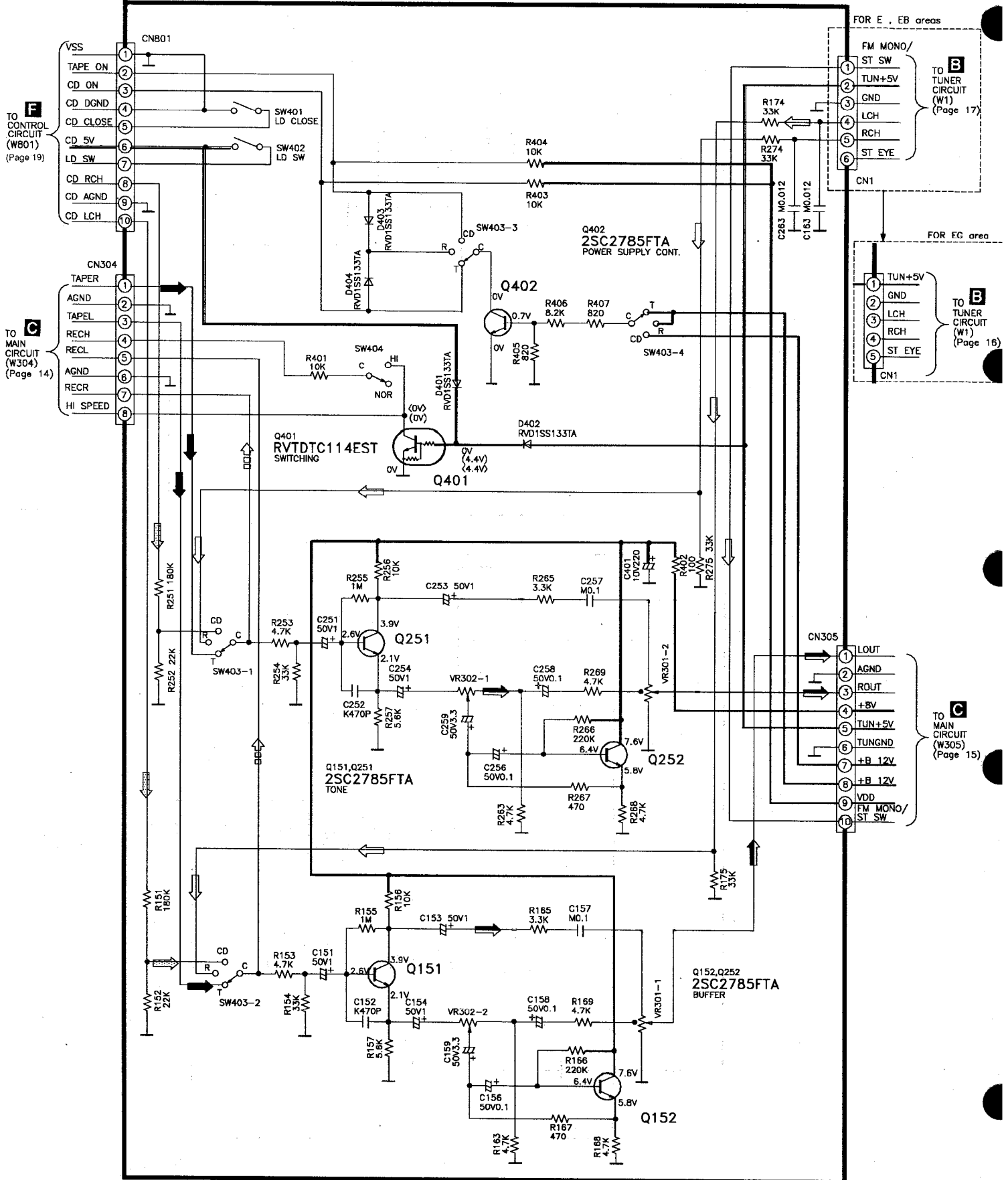


B TUNER CIRCUIT FOR E, EB areas

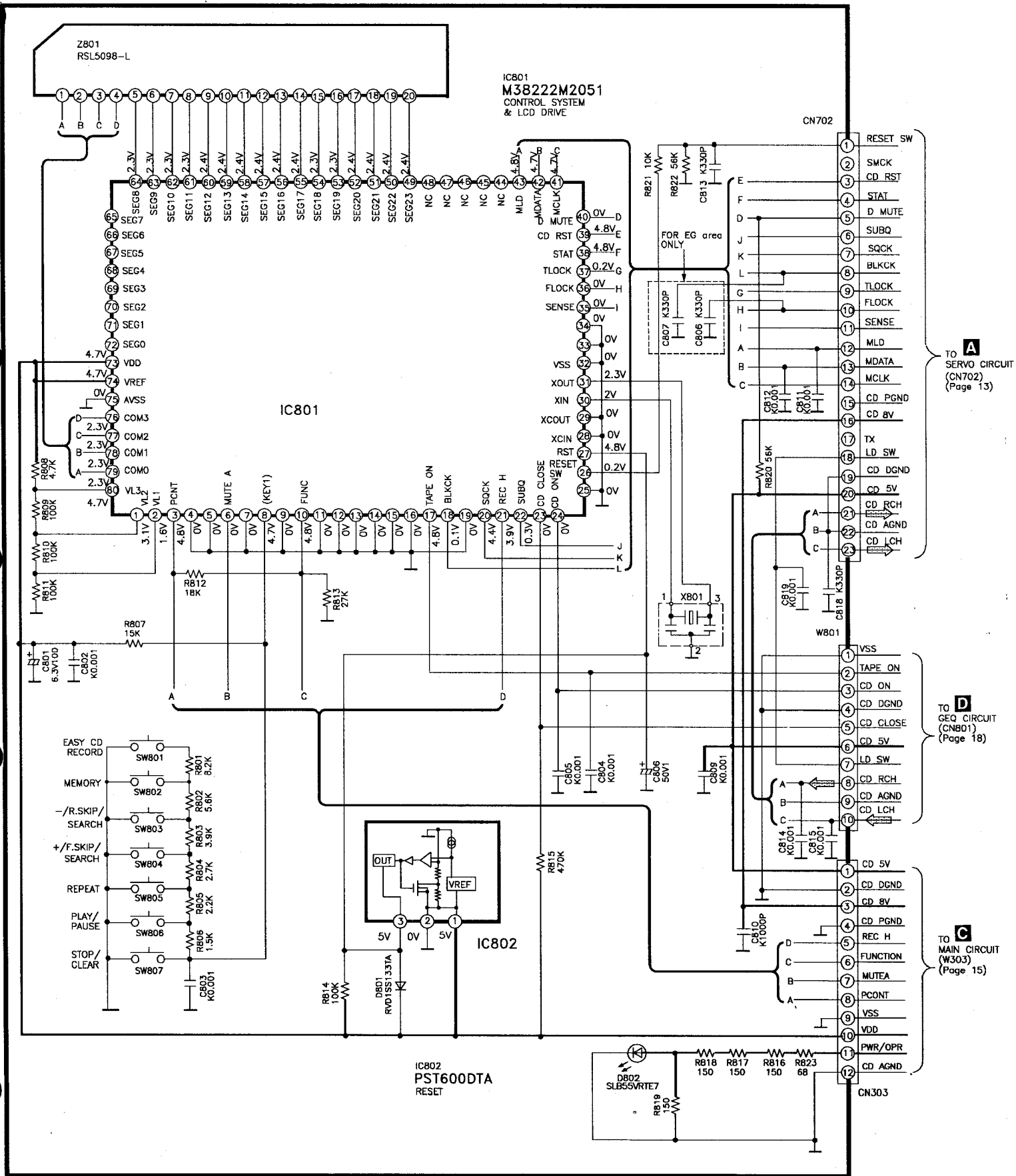


Schematic Diagram

D GEQ CIRCUIT



F CONTROL CIRCUIT



A
 TO SERVO CIRCUIT (CN702) (Page 13)

D
 TO GEN CIRCUIT (CN801) (Page 18)

C
 TO MAIN CIRCUIT (W303) (Page 15)