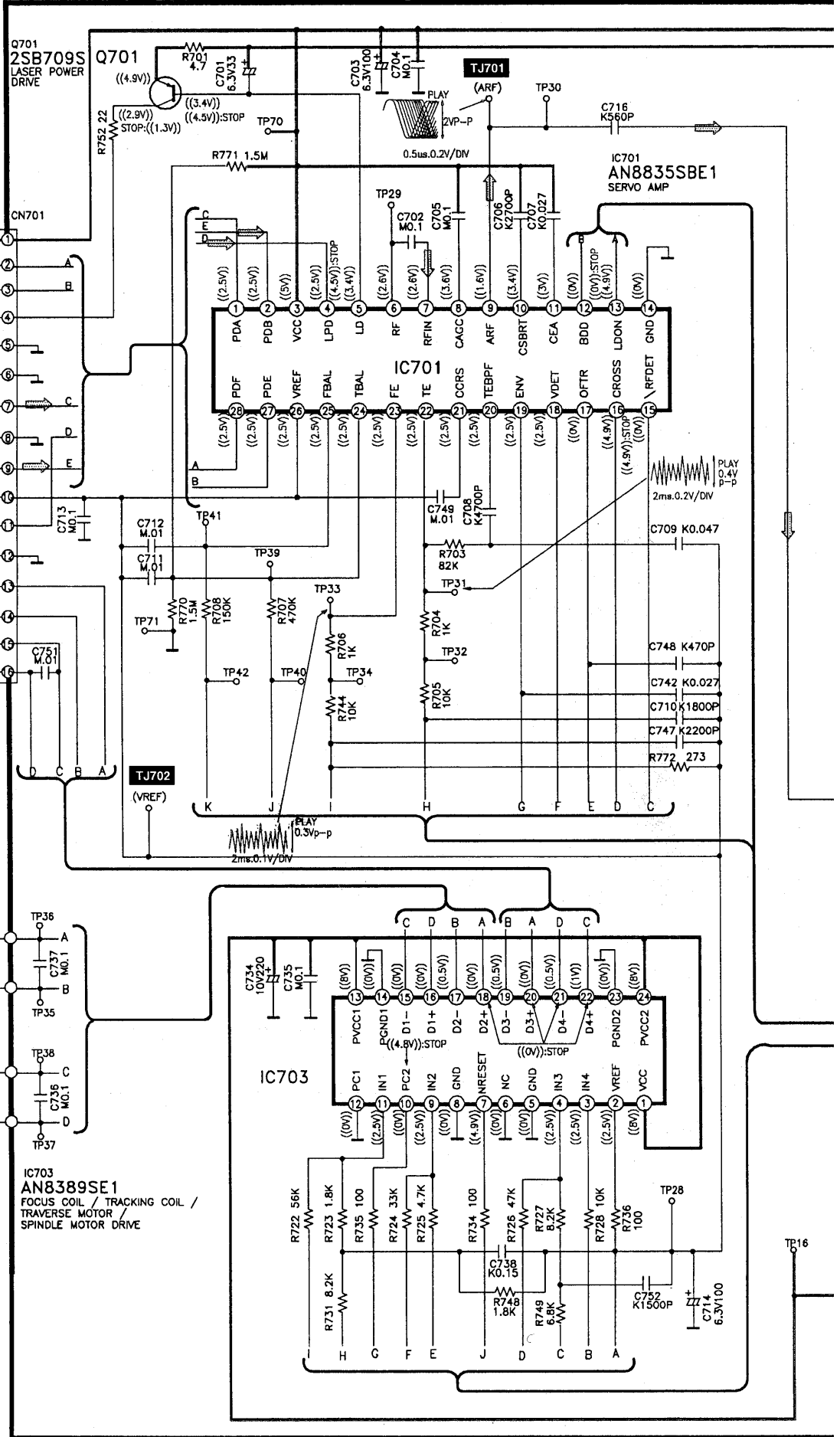
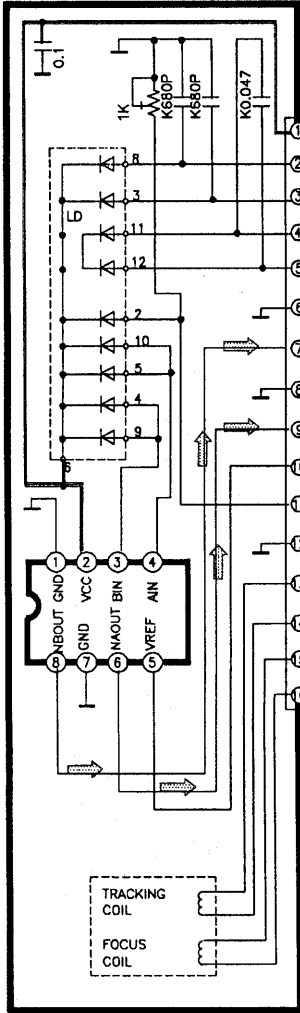
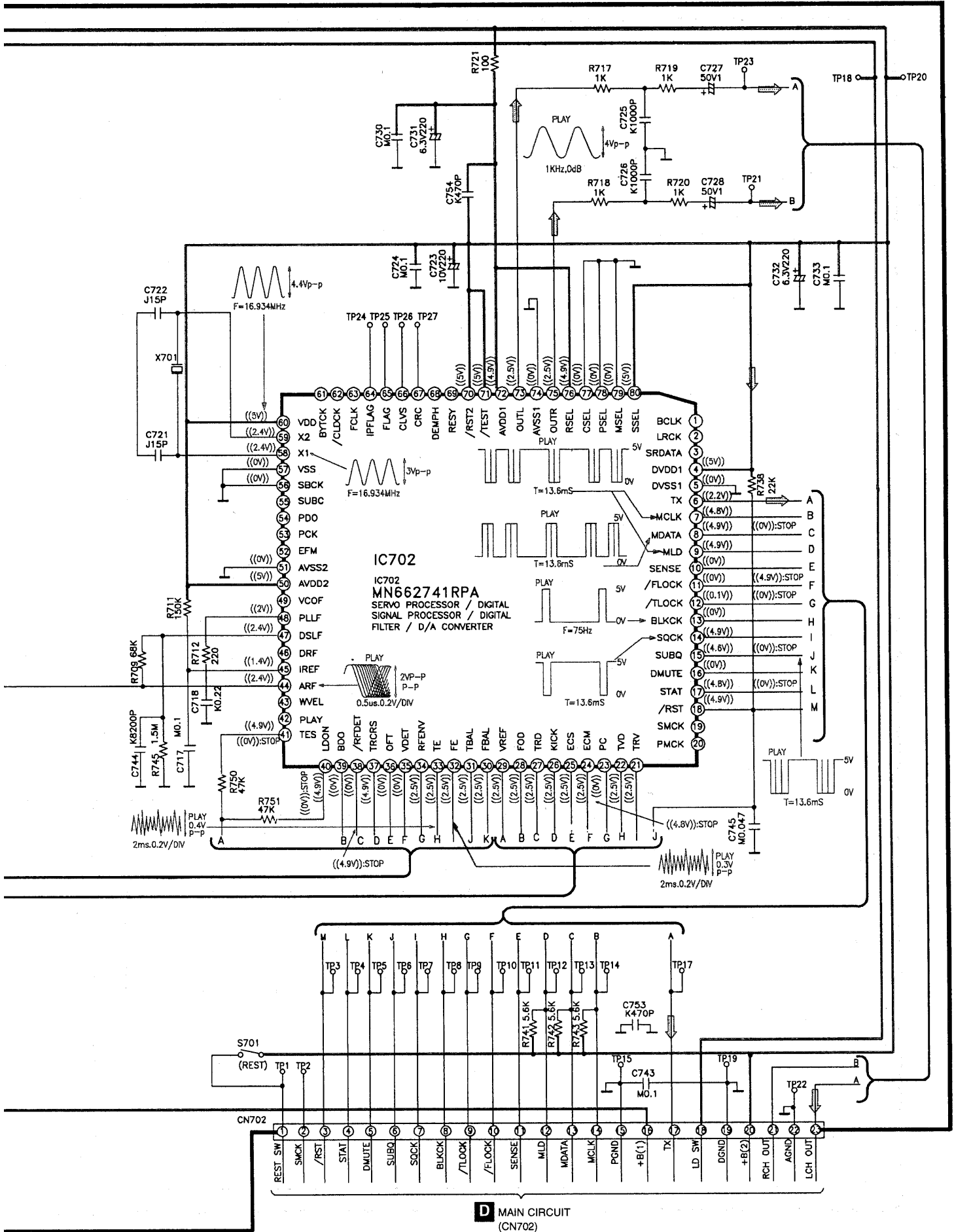


Schematic Diagram

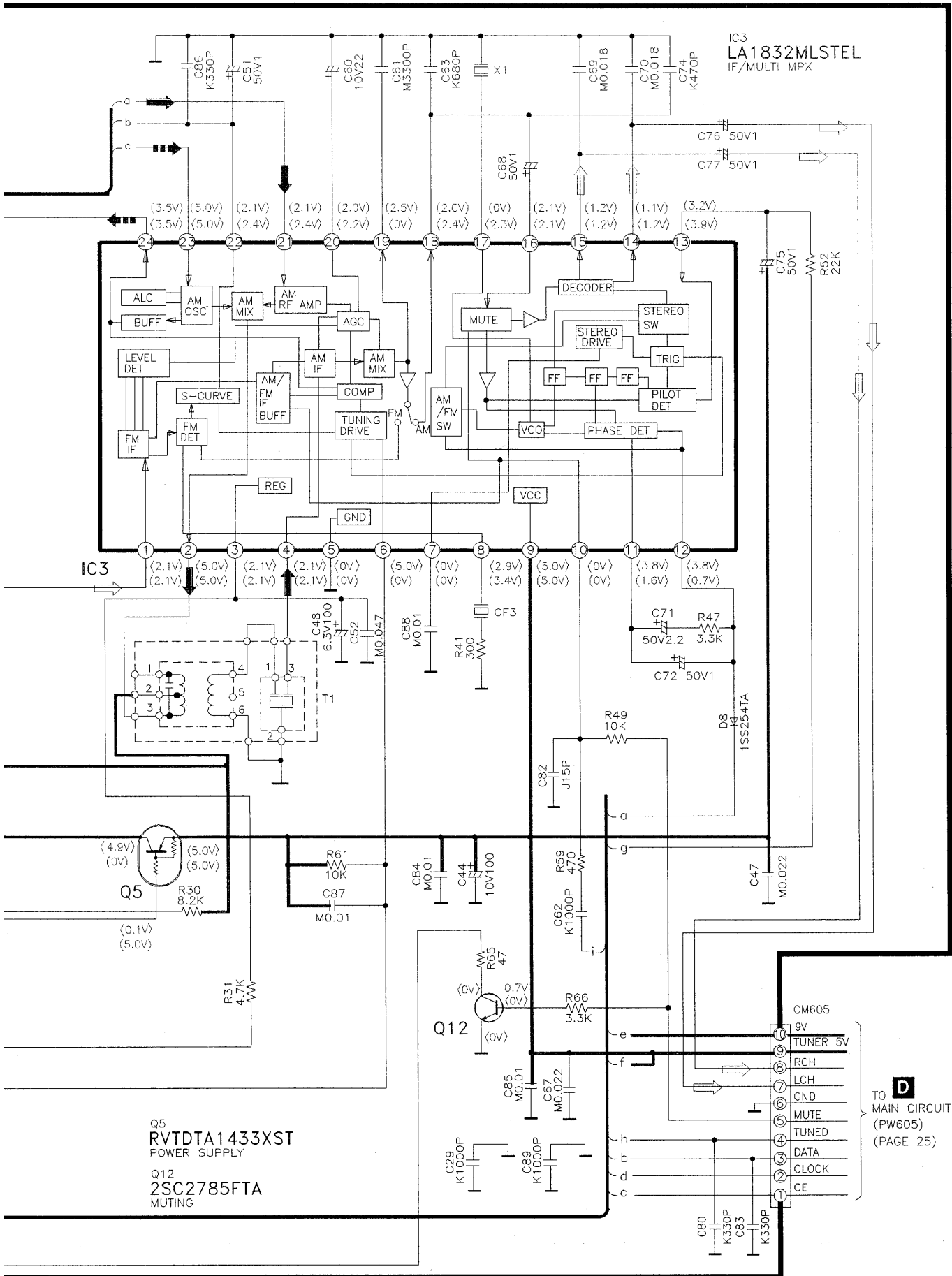
A SERVO CIRCUIT

OPTICAL PICKUP





D MAIN CIRCUIT
(CN702)
(PAGE 25)



D
TO MAIN CIRCUIT
(PW605)
(PAGE 25)

E OPERATION CIRCUIT

F SWITCH CIRCUIT

