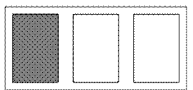
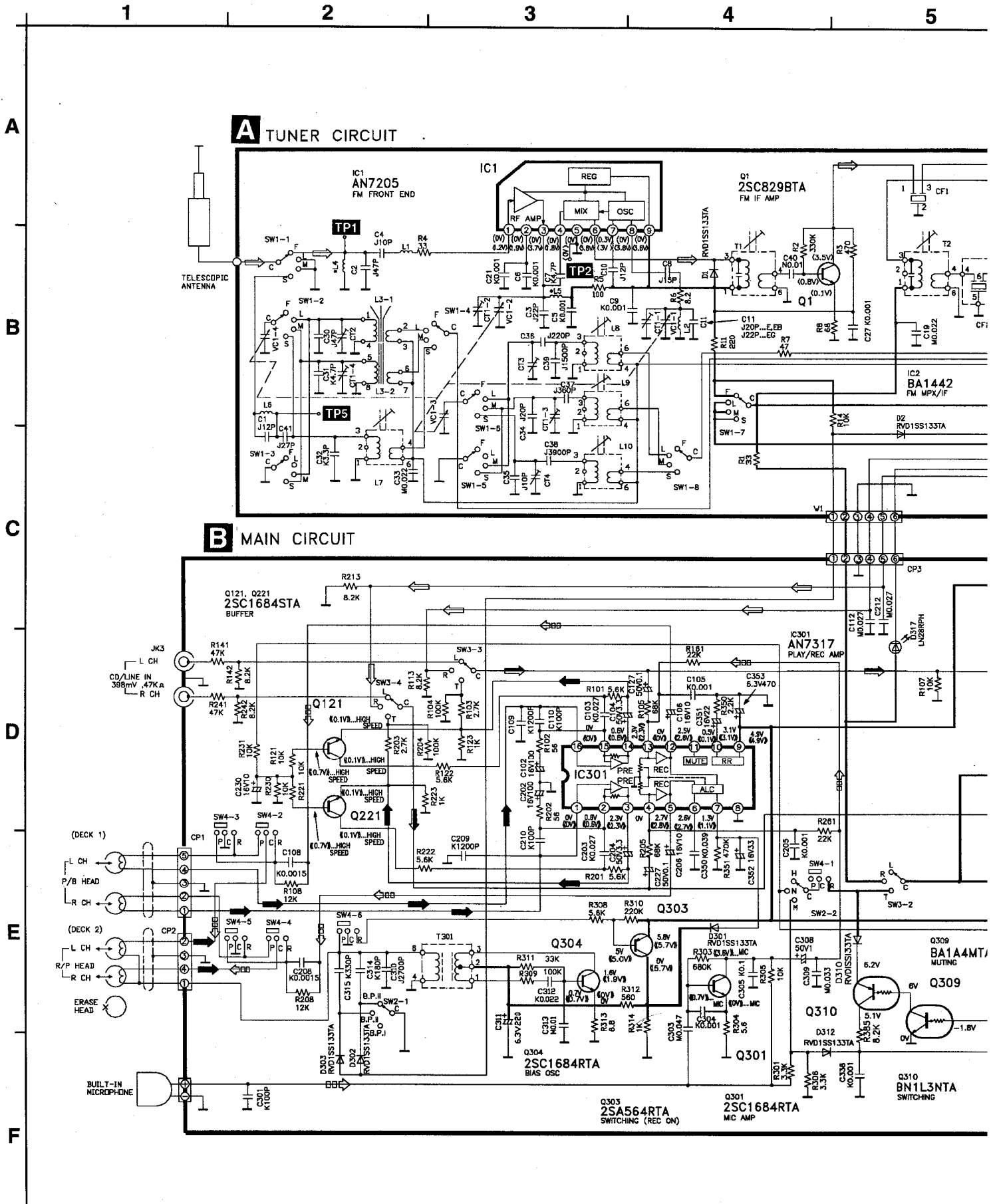
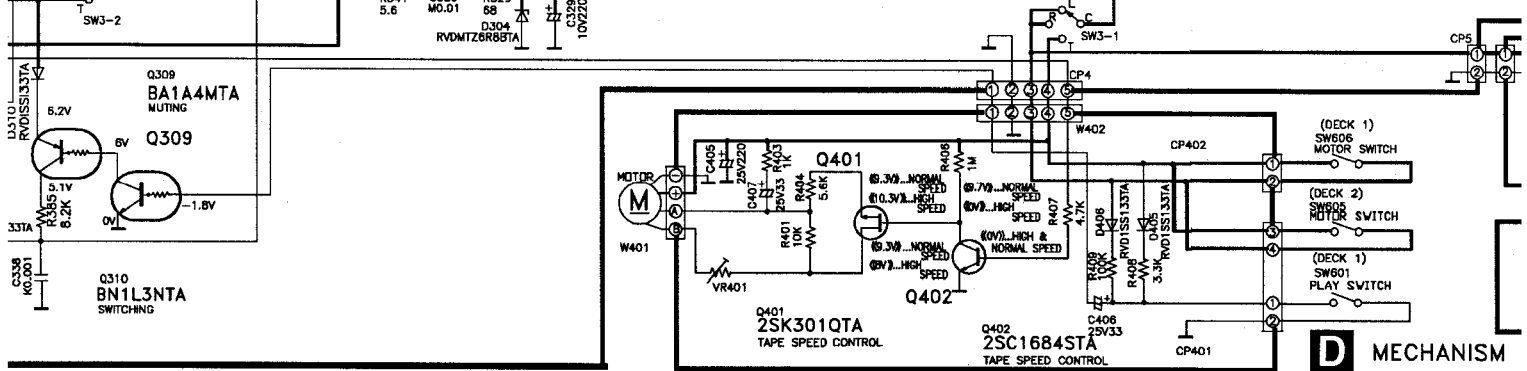
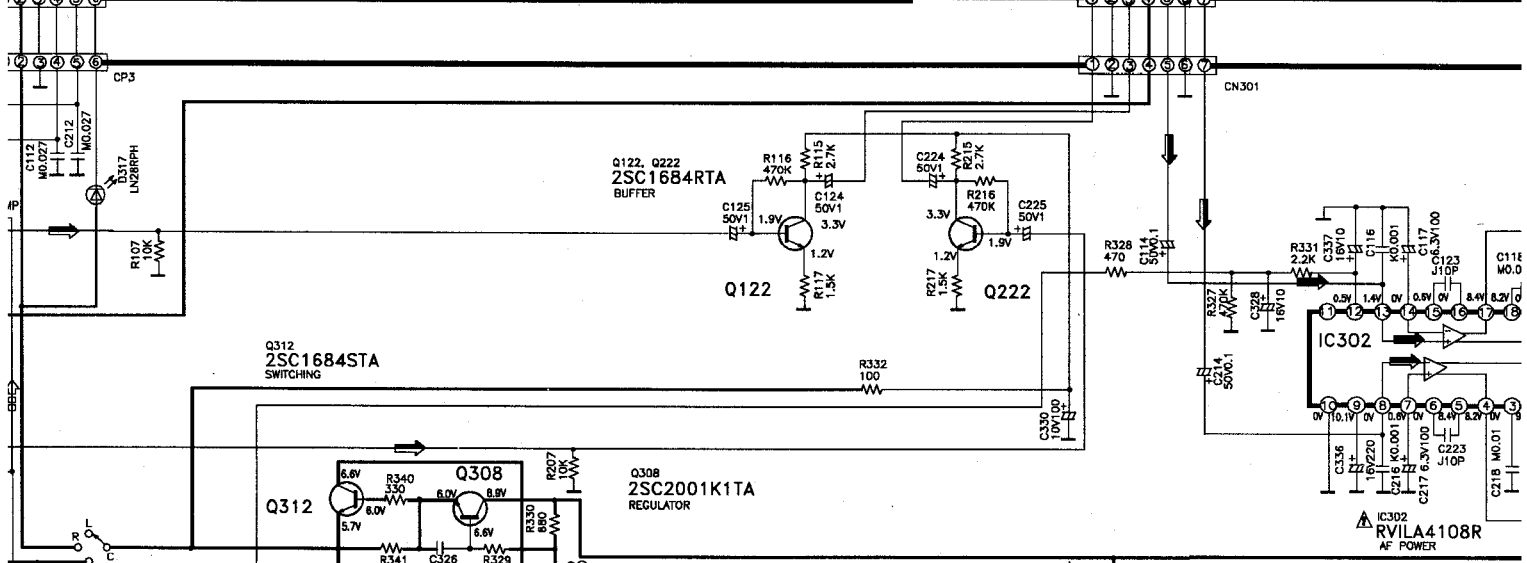
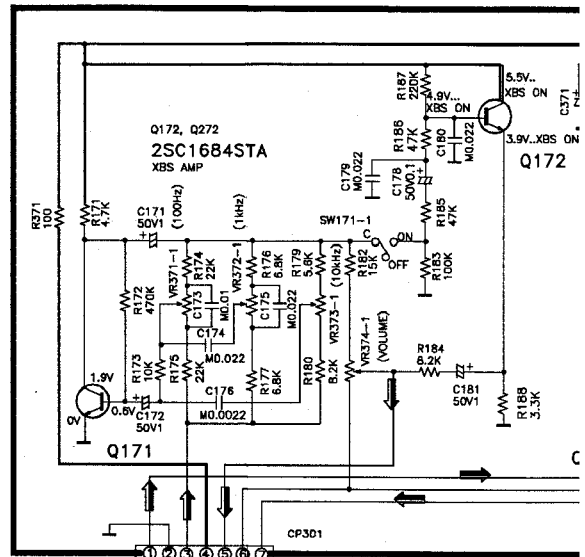
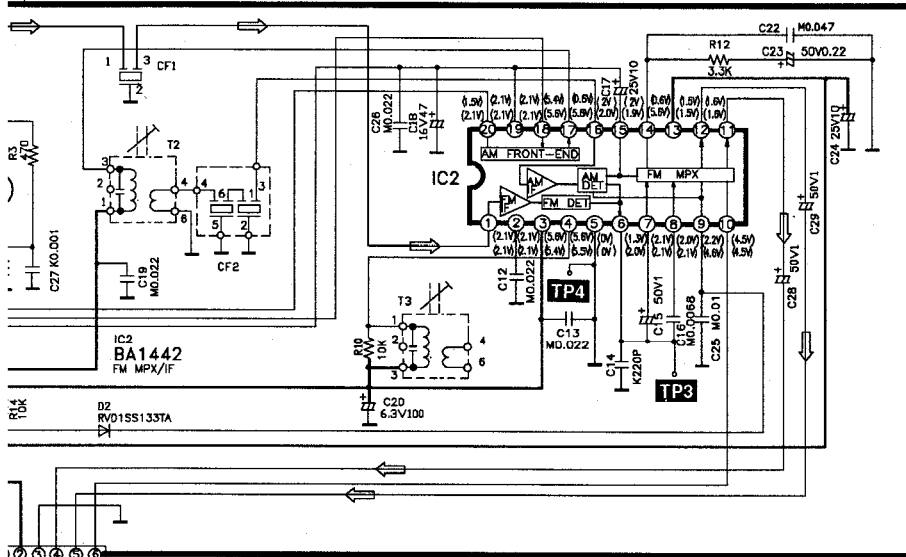


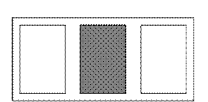
SCHEMATIC DIAGRAM

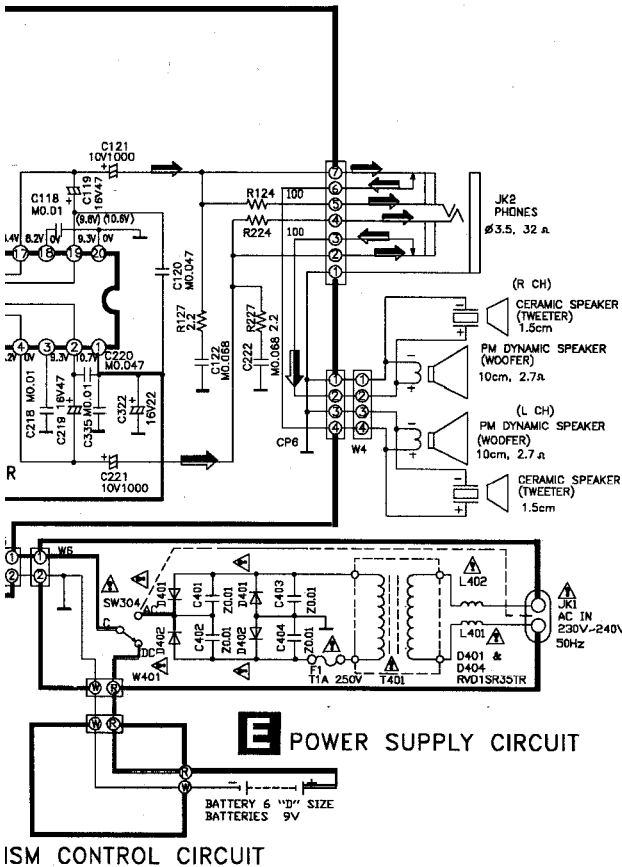
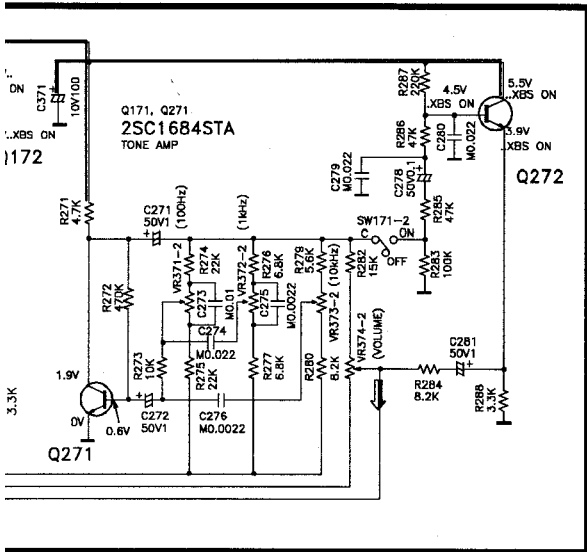


C GEQ CIRCUIT



D MECHANISM





NOTES:

- SW1-1 ~ SW1-8 : Band select switch in "FM" position. (S ... SW, M...MW, L...LW, F...FM)
- SW2-1 ~ SW2-2 : Editing/B.P select switch in "HIGH/II" position. (M ... MIC, N ... NORMAL, H ... HIGH; BPI ... Beat Proof I, BPII ... Beat Proof II)
- SW3-1 ~ SW3-4 : Selector switch in "[CD]/LINE" position. (T ... TAPE/[OFF], R ... RADIO, L ... [CD]/LINE)
- SW4-1 ~ SW4-6 : Record/Playback switch in "PLAYBACK" position. (R ... RECORD, P ... PLAYBACK)
- SW171-1 ~ SW171-2 : XBS switch in "OFF" position.
- SW304 : AC/DC select switch in "DC" position.
- SW601 : Deck 1 playback switch.
- SW605 : Deck 2 Motor switch in "OFF" position.
- SW606 : Deck 1 Motor switch in "OFF" position.
- VR371-1 ~ VR371-2 : GEQ (100 Hz)/ XBS level control.
- VR372-1 ~ VR372-2 : GEQ (1 kHz) control.
- VR373-1 ~ VR373-2 : GEQ (10 kHz) control.
- VR374-1 ~ VR374-2 : Volume level control.
- VR401 : Tape Speed control VR.

- Battery Current : Radio 207.5mA
Tape 280mA
Recording 200mA

(Measurement condition:
Radio: FM 60 dB, 30%mod
AM 74 dB, 30%mod
Tape: 315 Hz, 0dB
Tone: centre

• DC voltage measurements are taken with electronic voltmeter from negative terminal of battery.

• *L4 and *L5 are printed coils formed on the P.C.B and thus not found in the Replacement Parts List.

• No mark ... Playback < > ... FM () ... AM(SW/MW/LW)
<< >> ... REC

• Important Safety Notice:
Component identified by Δ have special characteristics important for safety. When replacing any of these components, use only manufacturer's specified parts.

• This schematic diagram may be modified at anytime with the development of new technology.

