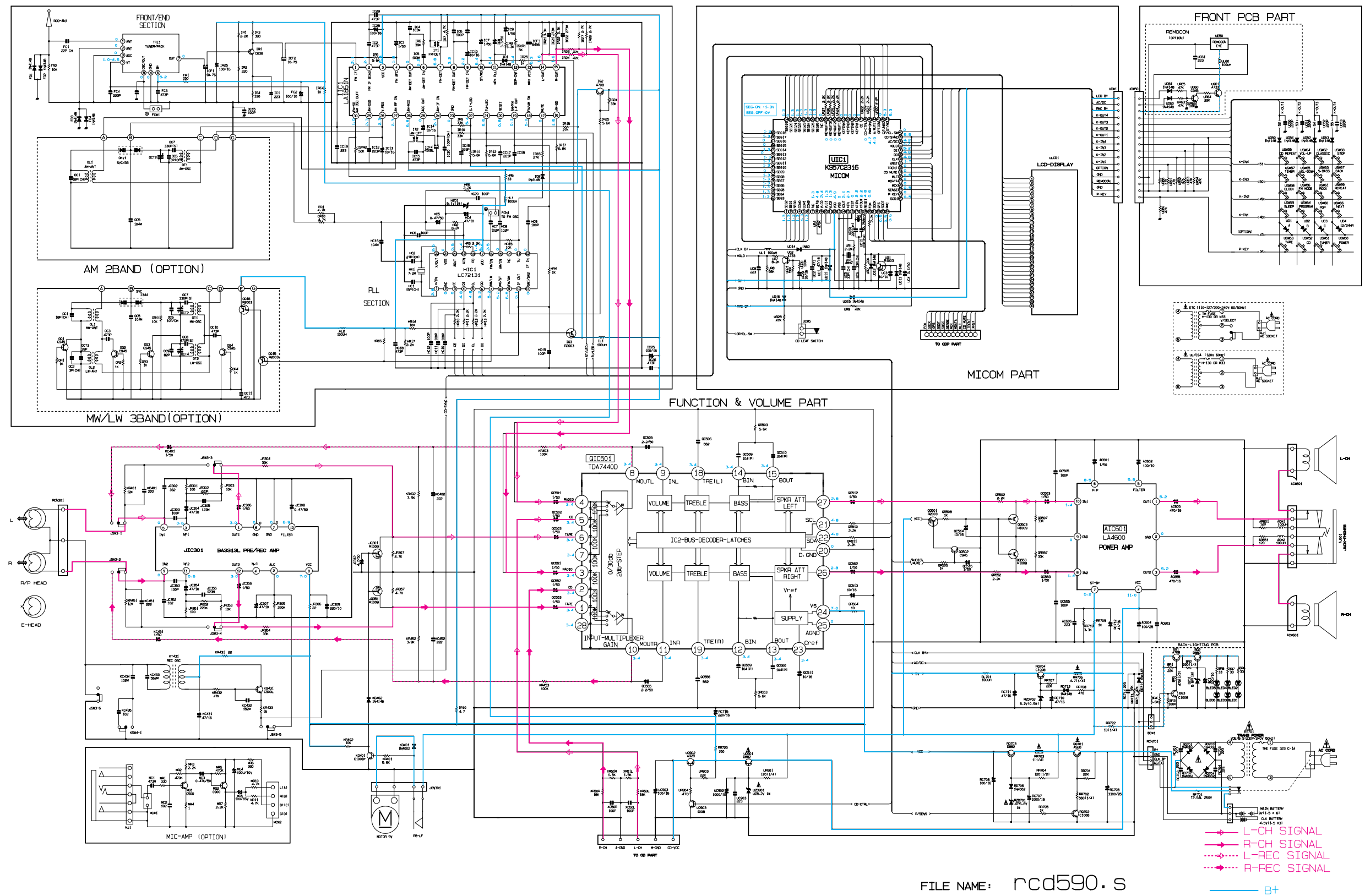


# 8. Schematic Diagram

## 8-1 Main Part



FILE NAME: rcd590.s

